

SPITZLIFT

DESIGNED AND ENGINEERED TO

- ★ BE AN ASSET FOR RISK MANAGEMENT
- ★ BE PAYLOAD EFFICIENT
- ★ INCREASE PRODUCTIVITY



SINCE 1999

PROFESSIONALS
CHOICE!
THOUSANDS
OF SPITZLIFTS
BEING USED
EVERY DAY!



★ 858.513.1260 ★ WWW.SPITZLIFT.COM ★ INFO@SPITZLIFT.COM ★

★ PICKUP TRUCK OPTION 1 ★

DC Powered SpitzLift

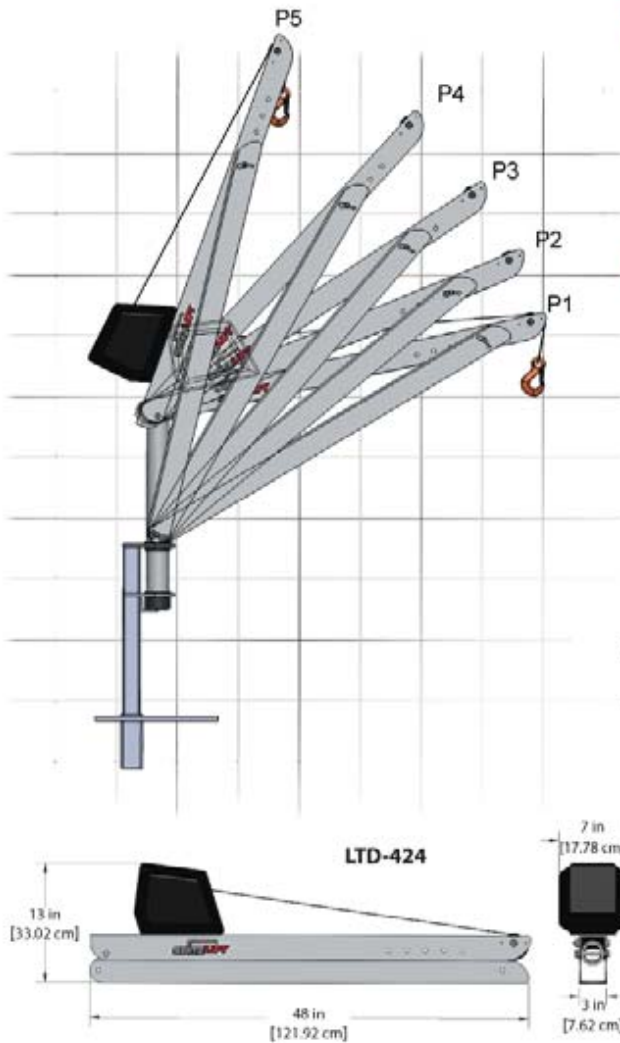
Aluminum DC SpitzLifts:

- are designed and engineered to be payload efficient.
- weigh less than 40 lbs (total payload-to-vehicle weight is less than 100 lbs for SpitzLift, mount, hardware, and wiring). No additional reinforcement or crane pedestals are required.
- are load-tested and arrive pre-assembled with load-test certification.
- can be moved from vehicle to vehicle and/or used in other off-vehicle applications.
- are ASME and OSHA compliant.
- Spec Bid documents are available upon request.

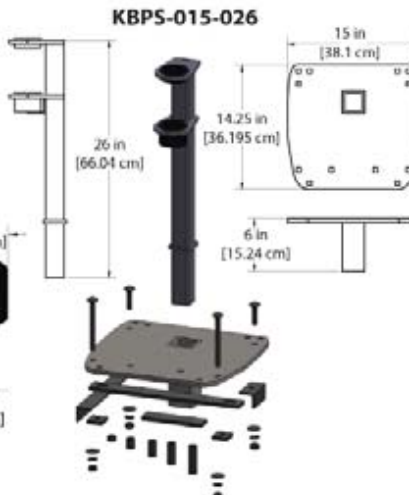


Load Positions: P1-P5

P1-P5	Load (lbs)	Load (kg)	Height (ft)	Height (cm)	Reach (ft)	Reach (cm)
P1	700 lbs	317.5 kg	3'9"	114.3 cm	3'11"	118.7 cm
P2	750 lbs	340.1 kg	4'4"	132.08 cm	3'9"	114.3 cm
P3	800 lbs	362.8 kg	5'	152.4 cm	3'5"	104.14 cm
P4	850 lbs	385.5 kg	5'8"	172.72 cm	2'11"	88.9 cm
P5	900 lbs	408.2 kg	6'5"	195.58 cm	1'10"	55.88 cm



SpitzLift Aluminum Model Specs	LTD-424
Max Lifting Capacity	900 lbs (408.2 kg)
Max Lifting Height (range - based on mounting option)	6'5" (195.58 cm)
Max Reach	3'11" (118.7 cm)
Rotation	360° Manual
Webbing (standard)	20' (609.6 cm)
Lifting Speed	22'6"/min (0.11 m/sec)
Remote Control Connection	10' (304.8 cm)
Weight / Shipping Weight	40 lbs (18.1 kg)
Power Requirements	12V DC @ 70 amps / 120V AC 2.8 amps
Standard Finish (powder coat available)	Anodized
Warranty (will match most OEM warranties up to 6 years)	3 years, limited



Mount Kit Specs	KBPS-015-026
Max Lifting Capacity	900 lbs (408.2 kg)
Finish	Powder Coat
Pivot Base (APHBS-026)	16 lbs (7.26 kg)
Surface Plate (ABP-1515)	31 lbs (14.06 kg)
Hardware and Wiring	11 lbs (4.99 kg)

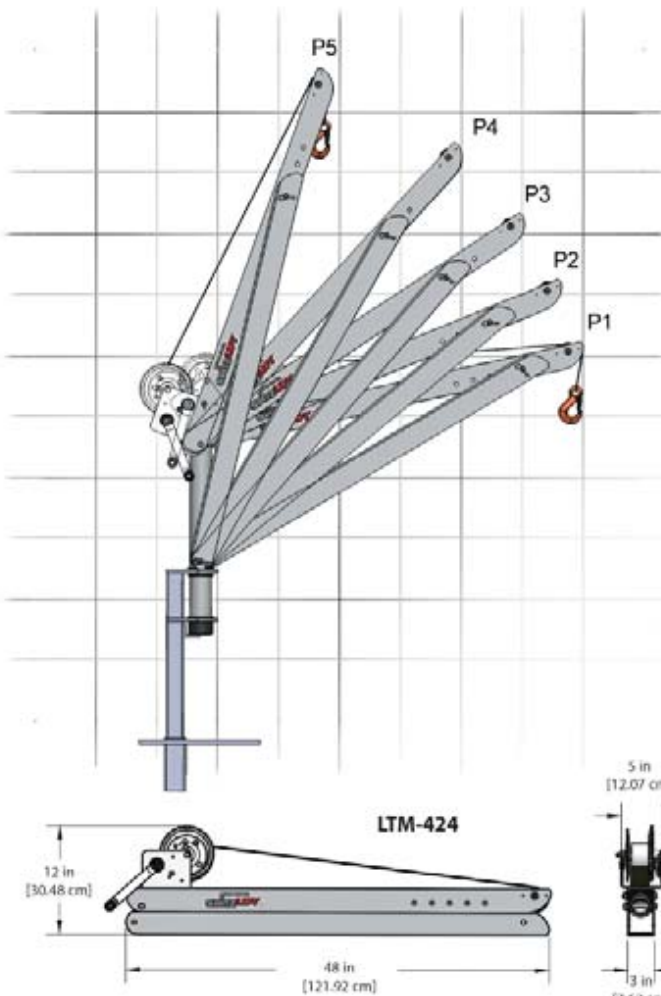
Package Specs	LEBS15-4
Max Lifting Capacity	900 lbs (408.2 kg)
Total Payload	98 lbs (44.45 kg)

★ PICKUP TRUCK OPTION 2 ★

Manual SpitzLift

Aluminum Manual SpitzLifts:

- are designed and engineered to be payload efficient.
- weigh less than 30 lbs (total payload-to-vehicle weight is less than 100 lbs for SpitzLift and mount).
- No additional reinforcement or pedestals are required.
- are load-tested and arrive pre-assembled with load-test certification.
- can be moved from vehicle to vehicle and/or used in other off-vehicle applications.
- are ASME and OSHA compliant.
- Spec Bid documents are available upon request.



Load Positions: P1-P5

P1-P5	Load (lbs)	Load (kg)	Height (ft)	Height (cm)	Reach (ft)	Reach (cm)
P1	700 lbs	317.5 kg	3'9"	114.3 cm	3'11"	118.7 cm
P2	750 lbs	340.1 kg	4'4"	132.08 cm	3'9"	114.3 cm
P3	800 lbs	362.8 kg	5'	152.4 cm	3'5"	104.14 cm
P4	850 lbs	385.5 kg	5'8"	172.72 cm	2'11"	88.9 cm
P5	900 lbs	408.2 kg	6'5"	195.58 cm	1'10"	55.88 cm

SpitzLift Aluminum Model Specs	LTM-424
Max Lifting Capacity	900 lbs (408.2 kg)
Max Lifting Height (range - based on mounting option)	6'5" (195.58 cm)
Max Reach	3'11" (118.7 cm)
Rotation	360° Manual
Webbing (standard)	20' (609.6 cm)
Weight	30 lbs (13.61kg)
Standard Finish (powder coat available)	Anodized
Warranty (will match most OEM warranties up to 6 years)	3 years, limited



Mount Kit Specs	KBPS-015-026
Max Lifting Capacity	900 lbs (408.2 kg)
Finish	Powder Coat
Pivot Base (APHBS-026)	16 lbs (7.26 kg)
Surface Plate (ABP-1515)	31 lbs (14.06 kg)
Hardware	9 lbs (4.08 kg)

Package Specs	LBS15-4
Max Lifting Capacity	900 lbs (408.2 kg)
Total Payload	86 lbs (39.0 kg)

★ PICKUP TRUCK OPTION 3 ★

Receiver Hitch • Manual SpitzLift

Aluminum Manual SpitzLifts:

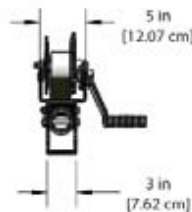
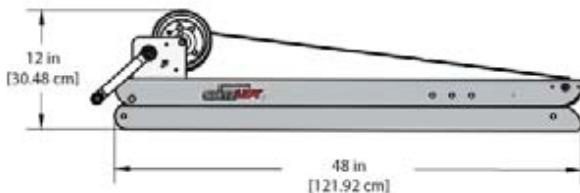
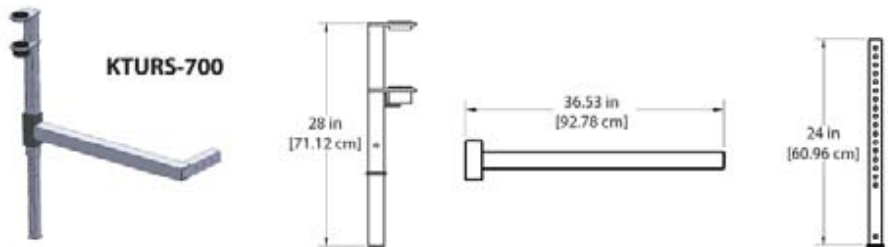
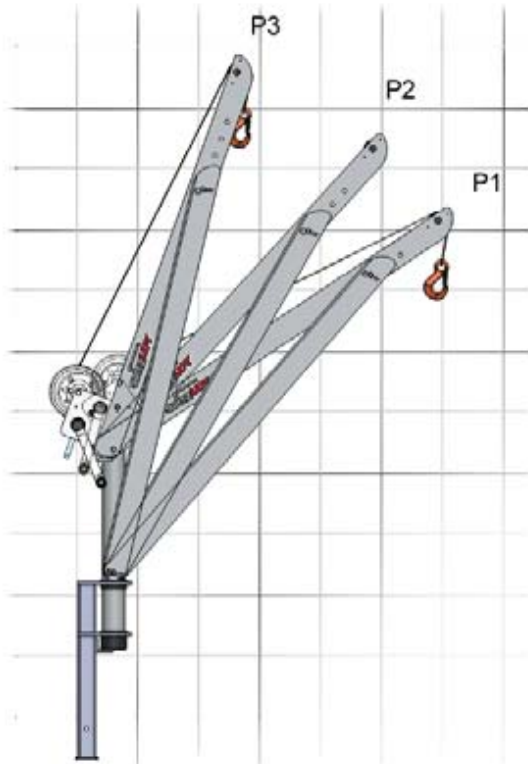
- are designed and engineered to be payload efficient.
- weigh less than 30 lbs (total payload-to-vehicle weight is less than 100 lbs for SpitzLift and mount).
- No additional reinforcement or pedestals are required.
- are load-tested and arrive pre-assembled with load-test certification.
- can be moved from vehicle to vehicle and/or used in other off-vehicle applications.
- are ASME and OSHA compliant.
- Spec Bid documents are available upon request.



Load Positions: P1-P3

P1-P5	Load (lbs)	Load (kg)	Height (ft)	Height (cm)	Reach (ft)	Reach (cm)
P1	500 lbs	226.7 kg	5'	152.4 cm	3'5"	104.14 cm
P2	600 lbs	272.1 kg	5'8"	172.72 cm	2'11"	88.9 cm
P3	700 lbs	317.5 kg	6'5"	195.9 cm	1'10"	58.88 cm

SpitzLift Aluminum Model Specs	
Max Lifting Capacity	700 lbs (317.5 kg)
Max Lifting Height (range - based on mounting option)	6'5" (195.9 cm)
Max Reach	3'5" (104.14 cm)
Rotation	360° Manual
Webbing (standard)	20' (609.6 cm)
Weight	30 lbs (13.61kg)
Standard Finish (powder coat available)	Anodized
Warranty (Limited)	3 years



Receiver Hitch Kit Specs	KTURS-700
Max Lifting Capacity	700 lbs (317.5 kg)
Finish	Powder Coated
Weight	40 lbs (18.14 kg)

Receiver Hitch Package Specs	LKTRS-700
Max Lifting Capacity	700 lbs (317.5 kg)
Total Payload	70 lbs (30.9 kg)



★ QUICK SETUP ★ SIMPLE OPERATION ★ MADE IN THE USA ★

★ SERVICE BODY OPTION 1 ★

Top Mount • DC Powered SpitzLift

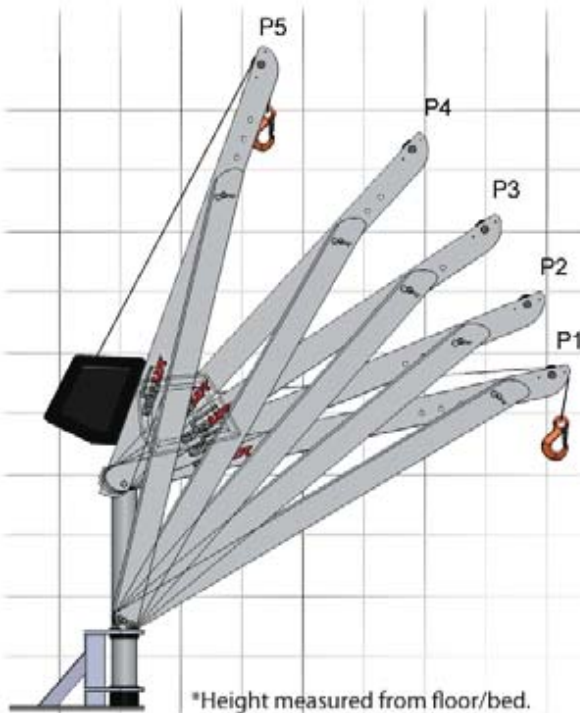
Aluminum DC SpitzLifts:

- are designed and engineered to be payload efficient.
- weigh less than 40 lbs (total payload-to-vehicle weight is less than 100 lbs for SpitzLift, mount, hardware, and wiring). No additional reinforcement or crane pedestals are required.
- are load-tested and arrive pre-assembled with load-test certification.
- can be moved from vehicle to vehicle and/or used in other off-vehicle applications.
- are ASME and OSHA compliant.
- Spec Bid documents are available upon request.

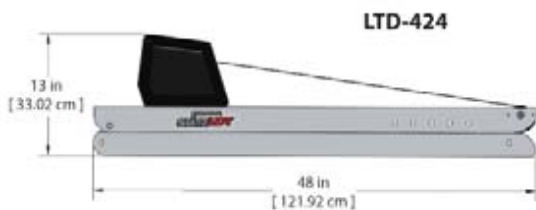


Load Positions: P1-P5

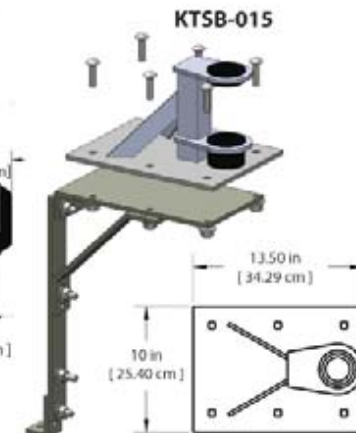
P1-P5	Load (lbs)	Load (kg)	Height (ft)	Height (cm)	Reach (ft)	Reach (cm)
P1	700 lbs	317.5 kg	4'10"	147.32 cm	3'11"	119.38 cm
P2	750 lbs	340.1 kg	5'5"	165.1 cm	3'9"	114.3 cm
P3	800 lbs	362.8 kg	6'1"	185.42 cm	3'5"	104.1 cm
P4	850 lbs	385.5 kg	6'9"	205.74 cm	2'11"	88.9 cm
P5	900 lbs	408.2 kg	7'6"	228.6 cm	1'10"	55.88 cm



*Height measured from floor/bed.



SpitzLift Aluminum Model Specs	LTD-424
Max Lifting Capacity	900 lbs (408.2 kg)
Max Lifting Height (range - based on mounting option)	7'6" (228.6 cm)
Max Reach	3'11" (119.38 cm)
Rotation	360° Manual
Webbing (standard)	20' (609.6 cm)
Lifting Speed	22'6"/min (0.11 m/sec)
Remote Control Connection	10' (304.8 cm)
Weight / Shipping Weight	40 lbs (18.1 kg)
Power Requirements	12V DC @ 70 amps / 120V AC 2 8 amps
Standard Finish (powder coat available)	Anodized
Warranty (will match most OEM warranties up to 6 years)	3 years, limited



Mount Kit Specs	KTSB-015
Max Lifting Capacity	900 lbs (408.2 kg)
Finish	Powder Coat
Weight	21 lbs (9.53 kg)
Hardware and Wiring	29 lbs (13.15 kg)

Package Specs	LET5B-4
Max Lifting Capacity	900 lbs (408.2 kg)
Total Payload	90 lbs (40.82 kg)



★ SERVICE BODY OPTION 2 ★

Corner Mount • DC Powered SpitzLift

Aluminum DC SpitzLifts:

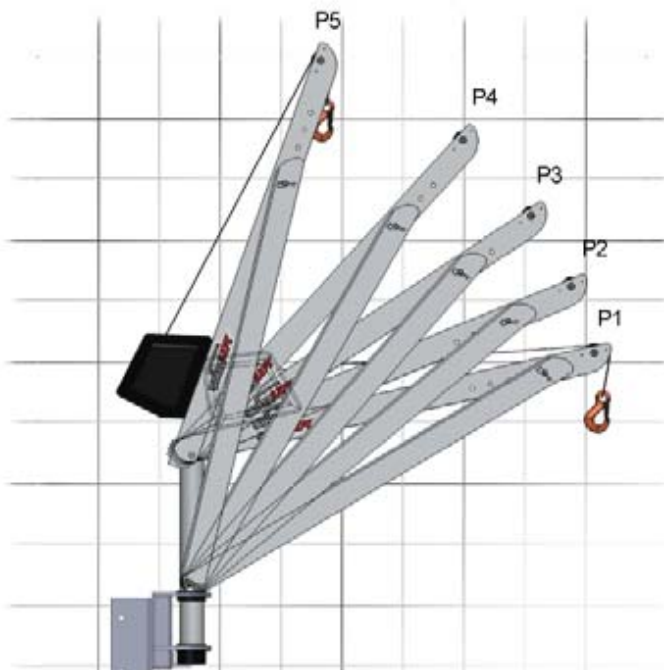
- are designed and engineered to be payload efficient.
- weigh less than 40 lbs (total payload-to-vehicle weight is less than 100 lbs for SpitzLift, mount, hardware, and wiring). No additional reinforcement or crane pedestals are required.
- are load-tested and arrive pre-assembled with load-test certification.
- can be moved from vehicle to vehicle and/or used in other off-vehicle applications.
- are ASME and OSHA compliant.
- Spec Bid documents are available upon request.



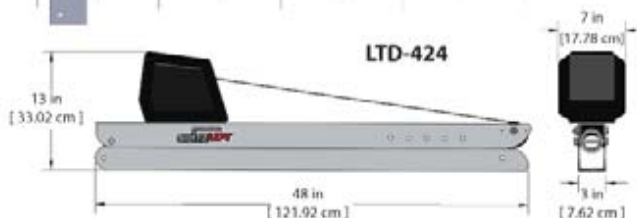
Load Positions: P1-P5

P1-P5	Load (lbs)	Load (kg)	Height (ft)*	Height (cm)	Reach (ft)	Reach (cm)
P1	700 lbs	317.5 kg	4'3"	129.54 cm	3'11"	119.38 cm
P2	750 lbs	340.1 kg	4'10"	147.32 cm	3'9"	114.3 cm
P3	800 lbs	362.8 kg	5'6"	167.64 cm	3'5"	104.1 cm
P4	850 lbs	385.5 kg	6'2"	187.96 cm	2'11"	88.9 cm
P5	900 lbs	408.2 kg	6'11"	210.82 cm	1'10"	55.88 cm

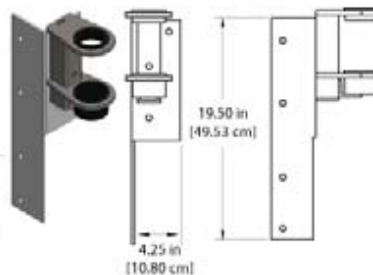
SpitzLift Aluminum Model Specs	LTD-424
Max Lifting Capacity	900 lbs (408.2 kg)
Max Lifting Height (range - based on mounting option)	6'11" (210.82 cm)
Max Reach	3'11" (119.38 cm)
Rotation	360° Manual
Webbing (standard)	20' (609.6 cm)
Lifting Speed	22'6"/min (0.11 m/sec)
Remote Control Connection	10' (304.8 cm)
Weight / Shipping Weight	40 lbs (18.1 kg)
Power Requirements	12V DC @ 70 amps / 120V AC 2 8 amps
Standard Finish (powder coat available)	Anodized
Warranty (will match most OEM warranties up to 6 years)	3 years, limited



*Height measured from floor/bed.



KOCM-219R



Mount Kit Specs	KOCM-219R
Max Lifting Capacity	900 lbs (408.2 kg)
Finish	Powder Coat
Weight	15 lbs (6.80 kg)
Hardware and Wiring	10 lbs (4.54 kg)

Package Specs	LESCM-4
Max Lifting Capacity	900 lbs (408.2 kg)
Total Payload	65 lbs (29.48 kg)

★ SERVICE BODY OPTION 3 ★

Bed Mount • DC Powered SpitzLift

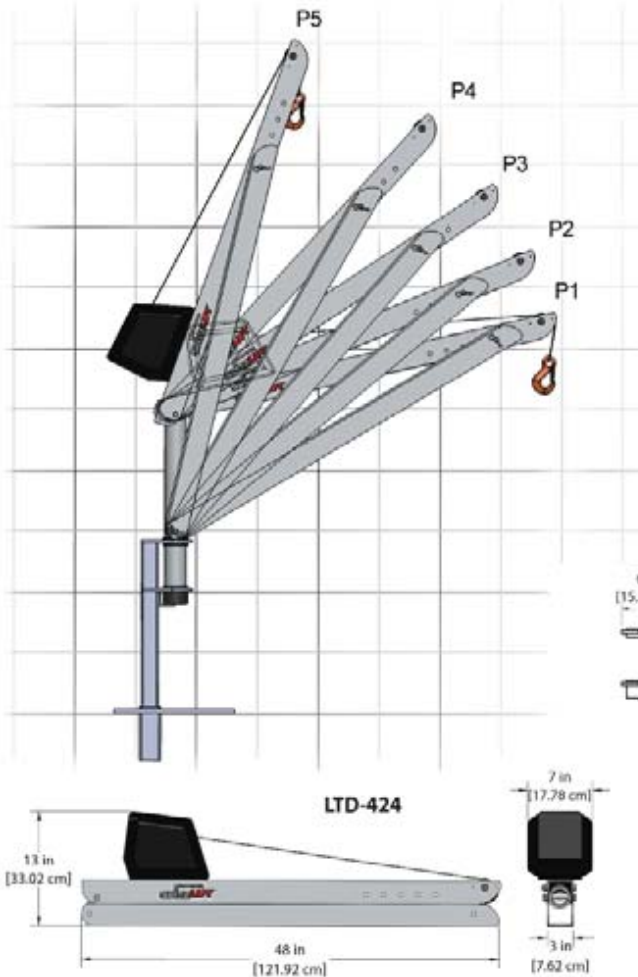
Aluminum DC SpitzLifts:

- are designed and engineered to be payload efficient.
- weigh less than 40 lbs (total payload-to-vehicle weight is less than 100 lbs for SpitzLift, mount, hardware, and wiring). No additional reinforcement or crane pedestals are required.
- are load-tested and arrive pre-assembled with load-test certification.
- can be moved from vehicle to vehicle and/or used in other off-vehicle applications.
- are ASME and OSHA compliant.
- Spec Bid documents are available upon request.



Load Positions: P1-P5

P1-P5	Load (lbs)	Load (kg)	Height (ft)	Height (cm)	Reach (ft)	Reach (cm)
P1	700 lbs	317.5 kg	3'9"	114.3 cm	3'11"	119.38 cm
P2	750 lbs	340.1 kg	4'4"	132.08 cm	3'9"	114.3 cm
P3	800 lbs	362.8 kg	5'	152.4 cm	3'5"	104.1 cm
P4	850 lbs	385.5 kg	5'8"	172.72 cm	2'11"	88.9 cm
P5	900 lbs	408.2 kg	6'5"	195.58 cm	1'10"	55.88 cm



SpitzLift Aluminum Model Specs	LTD-424
Max Lifting Capacity	900 lbs (408.2 kg)
Max Lifting Height (range - based on mounting option)	6'5" (195.58 cm)
Max Reach	3'11" (119.38 cm)
Rotation	360° Manual
Webbing (standard)	20' (609.6 cm)
Lifting Speed	22'6"/min (0.11 m/sec)
Remote Control Connection	10' (304.8 cm)
Weight / Shipping Weight	40 lbs (18.1 kg)
Power Requirements	12V DC @ 70 amps / 120V AC 2.8 amps
Standard Finish (powder coat available)	Anodized
Warranty (will match most OEM warranties up to 6 years)	3 years, limited



Mount Kit Specs	KBPS-010-026
Max Lifting Capacity	900 lbs (408.2 kg)
Finish	Powder Coated
Pivot Base (APHBS-026)	16 lbs (7.3 kg)
Surface Plate (ABP-1012)	16 lbs (7.3 kg)
Hardware and Wiring	14 lbs (6.4 kg)

Package Specs	LEBS10-4
Max Lifting Capacity	900 lbs (408.2 kg)
Total Payload	86 lbs (39 kg)



★ QUICK SETUP ★ SIMPLE OPERATION ★ MADE IN THE USA ★

★ ENCLOSED SERVICE BODY OPTION 1 ★

Low to Medium Mount • DC Powered SpitzLift

Aluminum DC SpitzLifts:

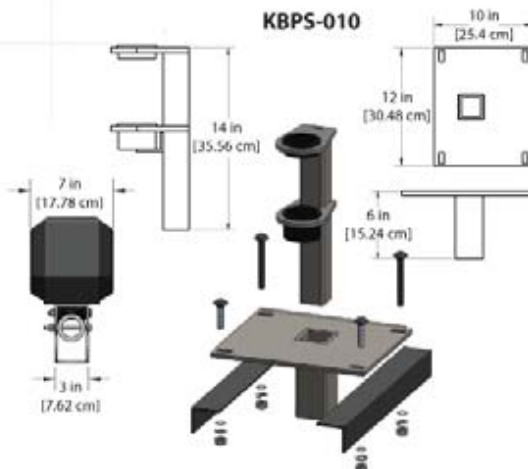
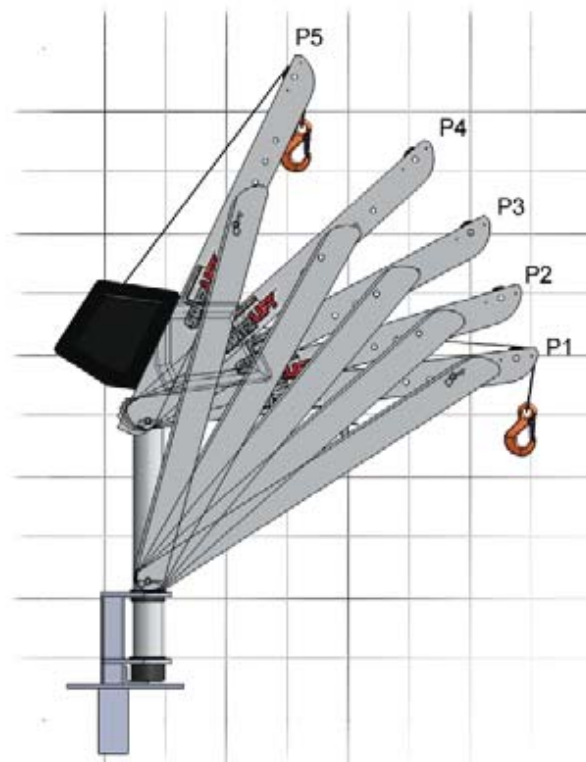
- are designed and engineered to be payload efficient.
- weigh less than 40 lbs (total payload-to-vehicle weight is less than 100 lbs for SpitzLift, mount, hardware, and wiring). No additional reinforcement or crane pedestals are required.
- are load-tested and arrive pre-assembled with load-test certification.
- can be moved from vehicle to vehicle and/or used in other off-vehicle applications.
- are ASME and OSHA compliant.
- Spec Bid documents are available upon request.



Load Positions: P1-P5

P1-P5	Load (lbs)	Load (kg)	Height (ft)	Height (cm)	Reach (ft)	Reach (cm)
P1	700 lbs	317.5 kg	2'5"	73.66 cm	2'11"	88.9 cm
P2	750 lbs	340.1 kg	2'10"	86.3 cm	2'10"	86.4 cm
P3	800 lbs	362.8 kg	3'4"	101.6 cm	2'8"	81.28 cm
P4	850 lbs	385.5 kg	3'11"	119.38 cm	2'3"	68.58 cm
P5	900 lbs	408.2 kg	4'6"	137.16 cm	1'5"	43.18 cm

SpitzLift Aluminum Model Specs	LTD-324
Max Lifting Capacity	900 lbs (408.2 kg)
Max Lifting Height (range - based on mounting option)	4'6" (137.16 cm)
Max Reach	2'11" (88.9 cm)
Rotation	360° Manual
Webbing (standard)	20' (609.6 cm)
Lifting Speed	22'6"/min (0.11 m/sec)
Remote Control Connection	10' (304.8 cm)
Weight / Shipping Weight	35 lbs (15.8 kg)
Power Requirements	12V DC @ 70 amps / 120V AC 2.8 amps
Standard Finish (powder coat available)	Anodized
Warranty (will match most OEM warranties up to 6 years)	3 years, limited



Mount Kit Specs	KBPS-010
Max Lifting Capacity	900 lbs (408.2 kg)
Finish	Powder Coat
Pivot Base (APHB-016)	9 lbs (4.08 kg)
Surface Plate (ABP-1012)	16 lbs (7.26 kg)
Hardware and Wiring	14 lbs (6.35 kg)

Package Specs	LEBS10-3
Max Lifting Capacity	900 lbs (408.2 kg)
Total Payload	74 lbs (33.57 kg)

★ ENCLOSED SERVICE BODY OPTION 2 ★



Tall Mount • DC Powered SpitzLift

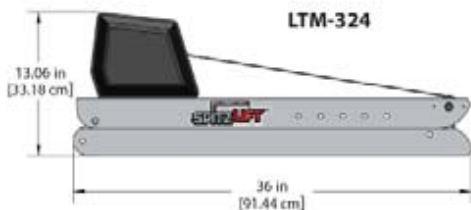
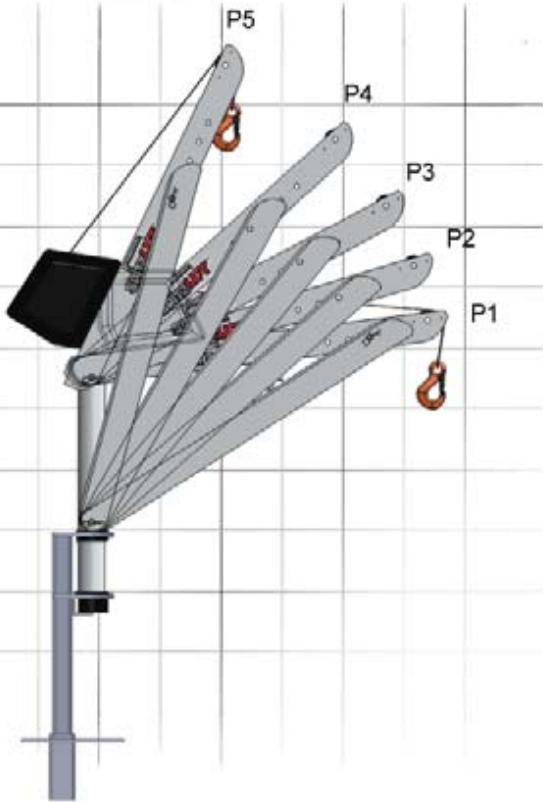
Aluminum DC SpitzLifts:

- are designed and engineered to be payload efficient.
- weigh less than 40 lbs (total payload-to-vehicle weight is less than 100 lbs for SpitzLift, mount, hardware, and wiring). No additional reinforcement or crane pedestals are required.
- are load-tested and arrive pre-assembled with load-test certification.
- can be moved from vehicle to vehicle and/or used in other off-vehicle applications.
- are ASME and OSHA compliant.
- Spec Bid documents are available upon request.

Load Positions P1-P5

P1-P5	Load (lbs)	Load (kg)	Height (ft)	Height (cm)	Reach (ft)	Reach (cm)
P1	700 lbs	317.5 kg	3'5"	104.14 cm	2'11"	88.9 cm
P2	750 lbs	340.1 kg	3'10"	116.84 cm	2'10"	86.36 cm
P3	800 lbs	362.8 kg	4'4"	132.08 cm	2'8"	81.28 cm
P4	850 lbs	385.5 kg	4'11"	149.86 cm	2'3"	68.58 cm
P5	900 lbs	408.2 kg	5'6"	167.64 cm	1'5"	43.18 cm

SpitzLift Aluminum Model Specs	LTD-424
Max Lifting Capacity	900 lbs (408.2 kg)
Max Lifting Height (range - based on mounting option)	5'6" (167.64 cm)
Max Reach	2'11" (88.9 cm)
Rotation	360° Manual
Webbing (standard)	20' (609.6 cm)
Lifting Speed	22'6"/min (0.11 m/sec)
Remote Control Connection	10' (304.8 cm)
Weight / Shipping Weight	35 lbs (15.8 kg)
Power Requirements	12V DC @ 70 amps / 120V AC 2.8 amps
Standard Finish (powder coat available)	Anodized
Warranty (will match most OEM warranties up to 6 years)	3 years, limited



Mount Kit Specs	KBPS-010-026
Max Lifting Capacity	900 lbs (408.2 kg)
Finish	Powder Coat
Pivot Base (APHBS-026)	16 lbs (40.64 kg)
Surface Plate (ABP-1012)	16 lbs (40.64 kg)
Hardware and Wiring	14 lbs (6.4 kg)

Package Specs	LEBS10-3-026
Max Lifting Capacity	900 lbs (408.2 kg)
Total Payload	81 lbs (205.74 kg)

★ ENCLOSED SERVICE BODY OPTION 3 ★

Low to Medium • DC Powered SpitzLift

Aluminum DC SpitzLifts:

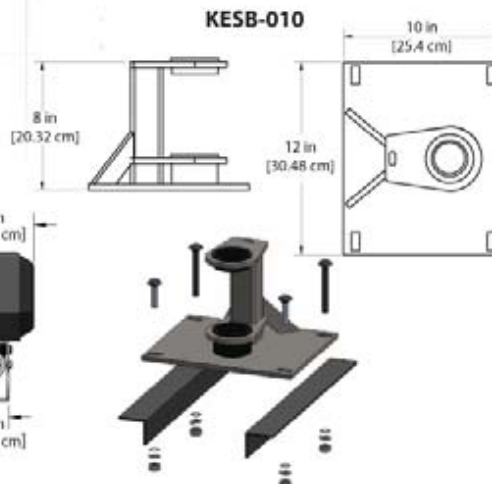
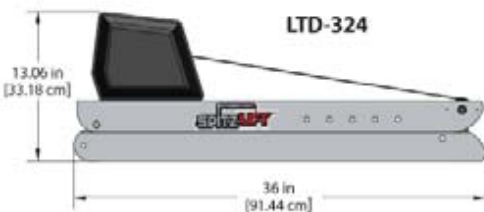
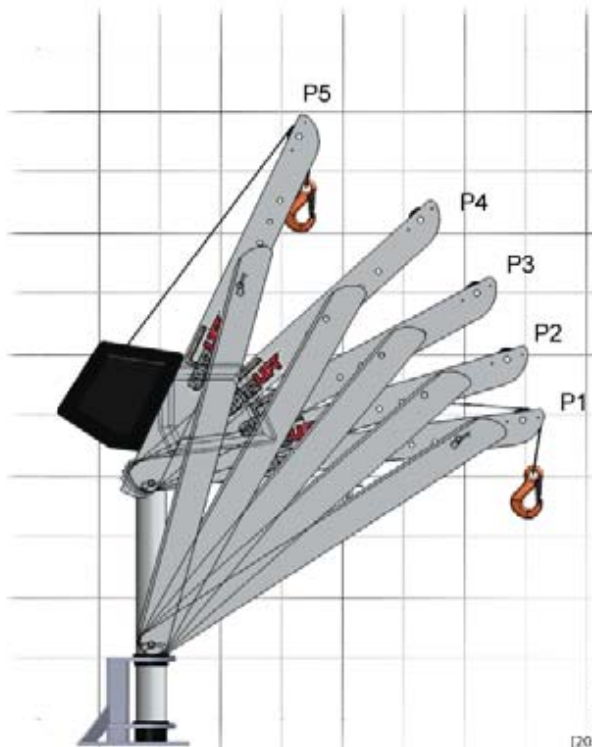
- are designed and engineered to be payload efficient.
- weigh less than 40 lbs (total payload-to-vehicle weight is less than 100 lbs for SpitzLift, mount, hardware, and wiring). No additional reinforcement or crane pedestals are required.
- are load-tested and arrive pre-assembled with load-test certification.
- can be moved from vehicle to vehicle and/or used in other off-vehicle applications.
- are ASME and OSHA compliant.
- Spec Bid documents are available upon request.



Load Positions: P1-P5

P1-P5	Load (lbs)	Load (kg)	Height (ft)	Height (cm)	Reach (ft)	Reach (cm)
P1	700 lbs	317.5 kg	2'5"	73.66 cm	2'11"	88.9 cm
P2	750 lbs	340.1 kg	2'10"	86.3 cm	2'10"	86.4 cm
P3	800 lbs	362.8 kg	3'4"	101.6 cm	2'8"	81.28 cm
P4	850 lbs	385.5 kg	3'11"	119.38 cm	2'3"	68.58 cm
P5	900 lbs	408.2 kg	4'6"	137.16 cm	1'5"	43.18 cm

SpitzLift Aluminum Model Specs	LTD-424
Max Lifting Capacity	900 lbs (408.2 kg)
Max Lifting Height (range - based on mounting option)	4'6" (137.16 cm)
Max Reach	2'11" (88.9 cm)
Rotation	360° Manual
Webbing (standard)	20' (609.6 cm)
Lifting Speed	22'6"/min (0.11 m/sec)
Remote Control Connection	10' (304.8 cm)
Weight / Shipping Weight	35 lbs (15.8 kg)
Power Requirements	12V DC @ 70 amps / 120V AC 2.8 amps
Standard Finish (powder coat available)	Anodized
Warranty (will match most OEM warranties up to 6 years)	3 years, limited



Mount Kit Specs	KESB-010
Max Lifting Capacity	900 lbs (408.2 kg)
Finish	Powder Coat
Weight	20 lbs (50.8 kg)
Hardware and Wiring	14 lbs (6.35kg)

Package Specs	LEESB-3
Max Lifting Capacity	900 lbs (408.2 kg)
Total Payload	69 lbs (175.26 kg)



★ QUICK SETUP ★ SIMPLE OPERATION ★ MADE IN THE USA ★

★ PLATFORM TRUCKS ★



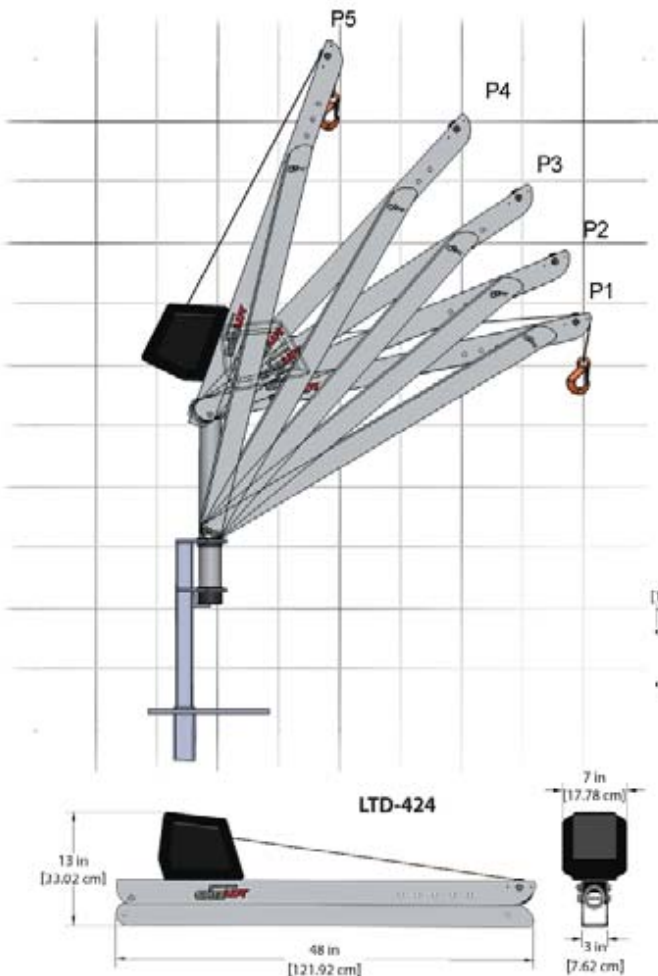
Option One: DC Powered SpitzLift Option Two: Manual SpitzLift (see page 14)

Aluminum DC SpitzLifts:

- are designed and engineered to be payload efficient.
- weigh less than 40 lbs (total payload-to-vehicle weight is less than 100 lbs for SpitzLift, mount, hardware, and wiring). No additional reinforcement or crane pedestals are required.
- are load-tested and arrive pre-assembled with load-test certification.
- can be moved from vehicle to vehicle and/or used in other off-vehicle applications.
- are ASME and OSHA compliant.
- Spec Bid documents are available upon request.

Load Positions: P1-P5

P1-P5	Load (lbs)	Load (kg)	Height (ft)	Height (cm)	Reach (ft)	Reach (cm)
P1	700 lbs	317.5 kg	3'9"	114.3 cm	3'11"	119.38 cm
P2	750 lbs	340.1 kg	4'4"	132.08 cm	3'9"	114.3 cm
P3	800 lbs	362.8 kg	5'	152.4 cm	3'5"	104.1 cm
P4	850 lbs	385.5 kg	5'8"	172.72 cm	2'11"	88.9 cm
P5	900 lbs	408.2 kg	6'5"	195.58 cm	1'10"	55.88 cm



SpitzLift Aluminum Model Specs	LTD-424
Max Lifting Capacity	900 lbs (408.2 kg)
Max Lifting Height (range - based on mounting option)	6'5" (195.58 cm)
Max Reach	3'11" (119.38 cm)
Rotation	360° Manual
Webbing (standard)	20' (609.6 cm)
Lifting Speed	22'6"/min (0.11 m/sec)
Remote Control Connection	10' (304.8 cm)
Weight / Shipping Weight	40 lbs (18.1 kg)
Power Requirements	12V DC @ 70 amps / 120V AC 2.8 amps
Standard Finish (powder coat available)	Anodized
Warranty (will match most OEM warranties up to 6 years)	3 years, limited



Mount Kit Specs	KBPS-010-026
Max Lifting Capacity	900 lbs (408.2 kg)
Finish	Powder Coated
Pivot Base (APHBS-026)	16 lbs (7.3 kg)
Surface Plate (ABP-1012)	16 lbs (7.3 kg)
Hardware and Wiring	14 lbs (6.4 kg)

Package Specs	LEBS10-4
Max Lifting Capacity	900 lbs (408.2 kg)
Total Payload	86 lbs (39 kg)



★ QUICK SETUP ★ SIMPLE OPERATION ★ MADE IN THE USA ★

★ VAN OPTION 1 ★



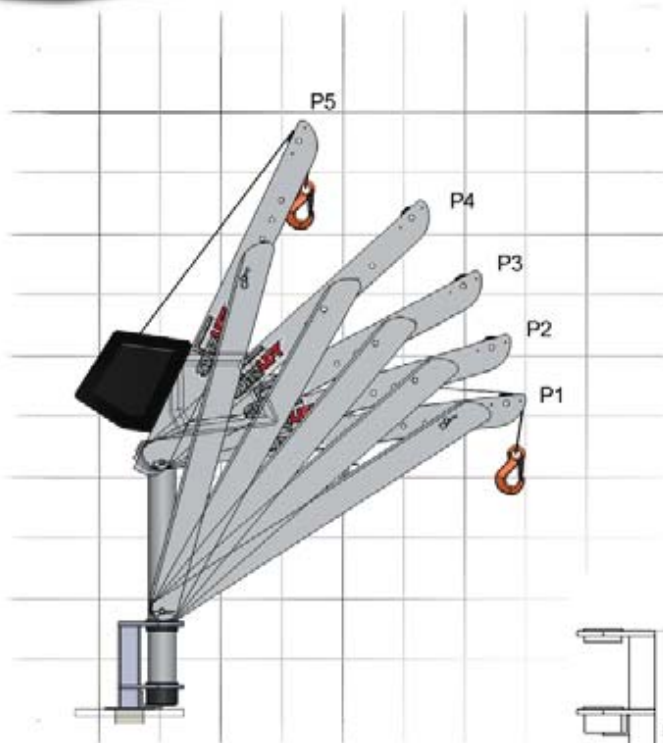
Floor Mount • DC Powered SpitzLift

Aluminum DC SpitzLifts:

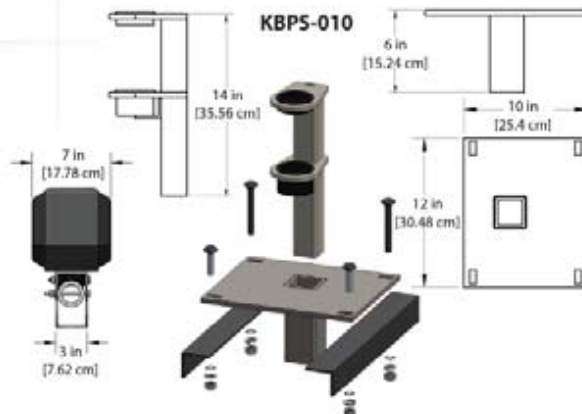
- are designed and engineered to be payload efficient.
- weigh less than 40 lbs (total payload-to-vehicle weight is less than 100 lbs for SpitzLift, mount, hardware, and wiring). No additional reinforcement or crane pedestals are required.
- are load-tested and arrive pre-assembled with load-test certification.
- can be moved from vehicle to vehicle and/or used in other off-vehicle applications.
- are ASME and OSHA compliant.
- Spec Bid documents are available upon request.

Load Positions: P1-P5

P1-P5	Load (lbs)	Load (kg)	Height (ft)	Height (cm)	Reach (ft)	Reach (cm)
P1	700 lbs	317.5 kg	2'5"	73.66 cm	2'11"	88.9 cm
P2	750 lbs	340.1 kg	2'10"	86.3 cm	2'10"	86.4 cm
P3	800 lbs	362.8 kg	3'4"	101.6 cm	2'8"	81.28 cm
P4	850 lbs	385.5 kg	3'11"	119.38 cm	2'3"	68.58 cm
P5	900 lbs	408.2 kg	4'6"	137.16 cm	1'5"	43.18 cm



SpitzLift Aluminum Model Specs	LTD-324
Max Lifting Capacity	900 lbs (408.2 kg)
Max Lifting Height (range - based on mounting option)	4'6" (137.16 cm)
Max Reach	2'11" (88.9 cm)
Rotation	360° Manual
Webbing (standard)	20' (609.6 cm)
Lifting Speed	22'6"/min (0.11 m/sec)
Remote Control Connection	10' (304.8 cm)
Weight / Shipping Weight	35 lbs (15.8 kg)
Power Requirements	12V DC @ 70 amps / 120V AC 2.8 amps
Standard Finish (powder coat available)	Anodized
Warranty (will match most OEM warranties up to 6 years)	3 years, limited



Mount Kit Specs	KBPS-010
Max Lifting Capacity	900 lbs (408.2 kg)
Finish	Powder Coat
Pivot Base (APHB-016)	9 lbs (4.08 kg)
Surface Plate (ABP-1012)	16 lbs (7.26 kg)
Hardware and Wiring	14 lbs (6.35 kg)

Package Specs	LEB510-3
Max Lifting Capacity	900 lbs (408.2 kg)
Total Payload	74 lbs (33.57 kg)

★ VAN OPTION 2 ★

Receiver Hitch • Manual SpitzLift

Aluminum Manual SpitzLifts:

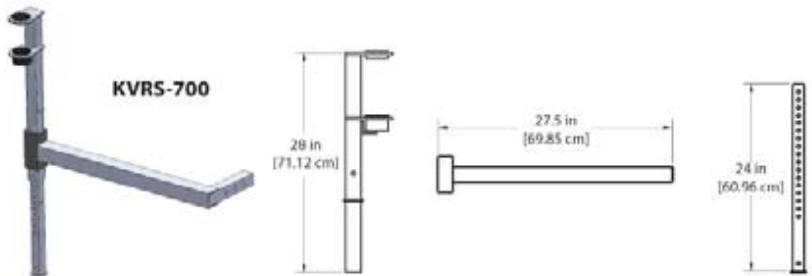
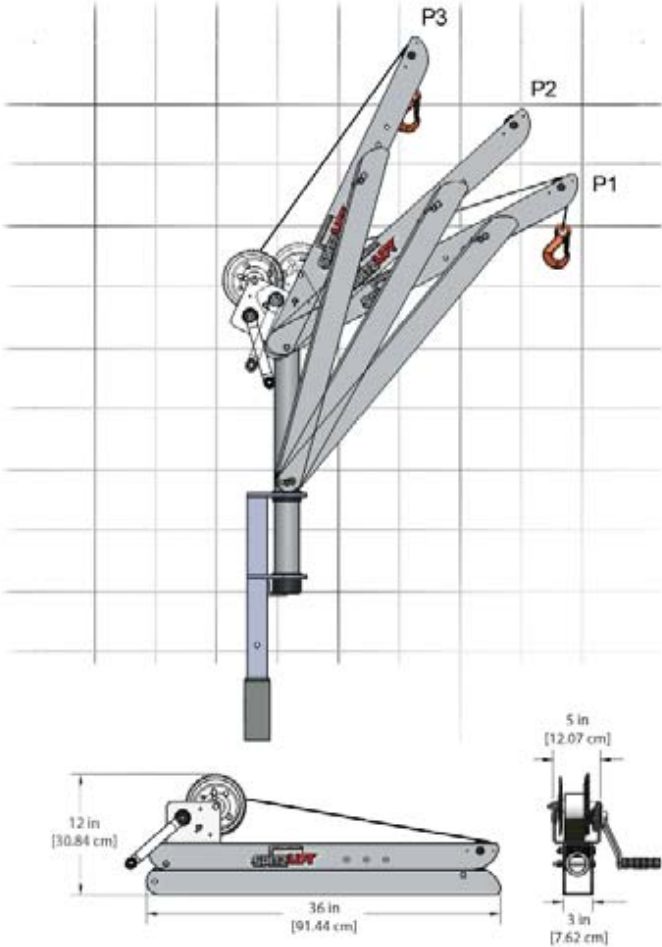
- are designed and engineered to be payload efficient.
- weigh less than 30 lbs (total payload-to-vehicle weight is less than 100 lbs for SpitzLift and mount).
- No additional reinforcement or pedestals are required.
- are load-tested and arrive pre-assembled with load-test certification.
- can be moved from vehicle to vehicle and/or used in other off-vehicle applications.
- are ASME and OSHA compliant.
- Spec Bid documents are available upon request.



Load Positions: P1-P3

P1-P3	Load (lbs)	Load (kg)	Height (ft)	Height (cm)	Reach (ft)	Reach (cm)
P1	500 lbs	226.7 kg	4'4"	132.08 cm	2'8"	81.28 cm
P2	600 lbs	272.1 kg	4'11"	149.86 cm	2'3"	68.58 cm
P3	700 lbs	317.5 kg	5'6"	167.64 cm	1'5"	43.18 cm

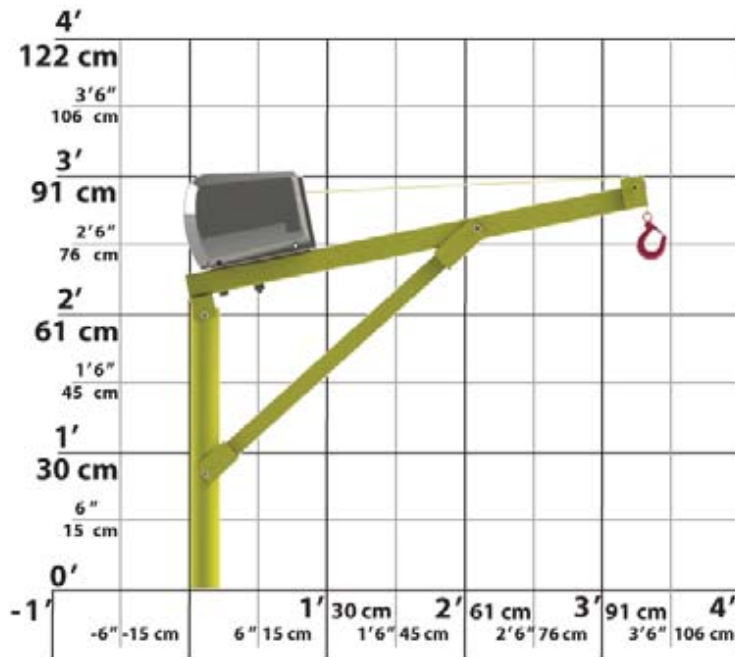
SpitzLift Aluminum Model Specs	
Max Lifting Capacity	700 lbs (317.5 kg)
Max Lifting Height (range - based on mounting option)	5'6" (167.64 cm)
Max Reach	2'8" (81.28 cm)
Rotation	360° Manual
Webbing (standard)	20' (609.6 cm)
Weight	26 lbs (11.79 kg)
Standard Finish (powder coat available)	Anodized
Warranty (Limited)	3 years



Receiver Hitch Kit Specs	KQRS-700
Max Lifting Capacity	700 lbs (317.5 kg)
Finish	Powder Coated
Weight	41 lbs (18.14 kg)

Receiver Hitch Package Specs	LKQRS-700
Max Lifting Capacity	700 lbs (317.5 kg)
Total Payload	67 lbs (30.39 kg)





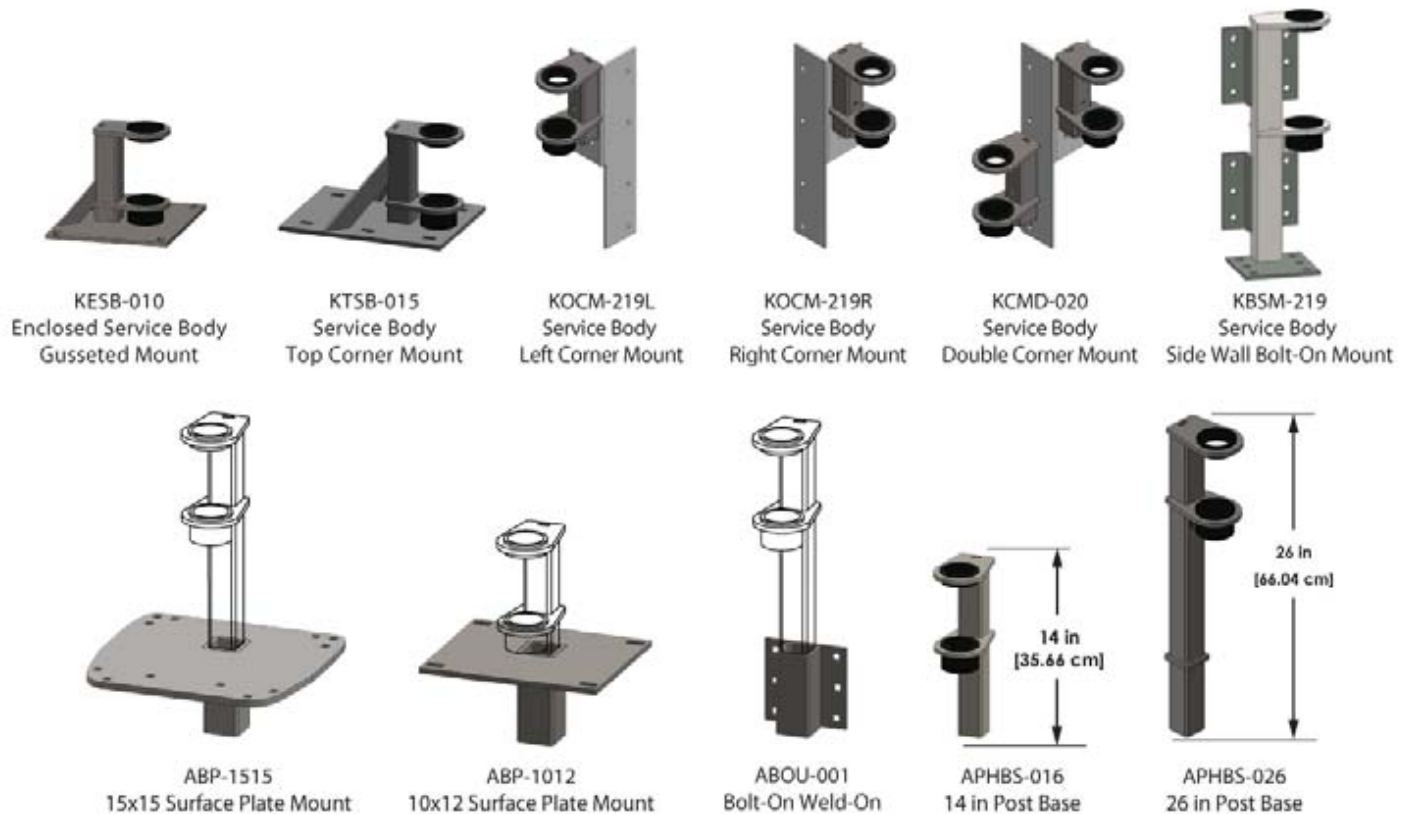
Standard Model	SATW600
Max Lifting Capacity	600 lbs (272.2 kg)
Max Lifting Height (varies-based on mounting option)	3' (91.4 cm)
Max Reach	3'3" (99.06 cm)
Rotation	360° Manual
Material-Steel/Aluminum	Powder Coated
Warranty (Limited)	1 year
Weight	38 lbs (17.24 kg)

Warranty only applies when installed with SpitzLift mounts.

- SpitzLift SATW600 is designed and engineered to be payload efficient.
- Total payload to vehicle weight is less than 100 lbs.
- SpitzLift SATW600 weighs 38 lbs.
- Custom solutions available.
- Spec Bid Documents available upon request.

SpitzLift mounting options are available for any application.

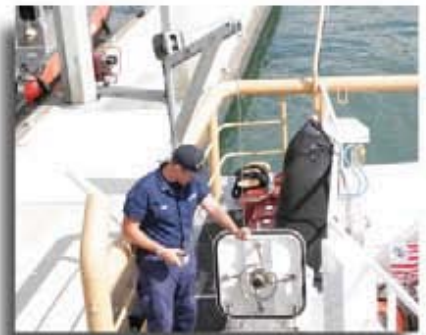
Pickup Truck, Service Body, Flat Bed, Van Bumper, Van Interior, Radio Platforms, Manufacturing Facilities, Cart, and Building Rooftop.



SpitzLift packages and kits provide all support hardware, no additional reinforcement or pedestals are required.

Note: SpitzLift height can be extended and adjusted, depending on pivot base, mount, and installation location.

MILITARY •



RAILWAY •



MUNICIPALITIES •



QUAD •



ROOF-TOP •



CARTS •



EXTENSION ARM •



TOWERS



BOATS



FACILITIES MAINTENANCE



DECK



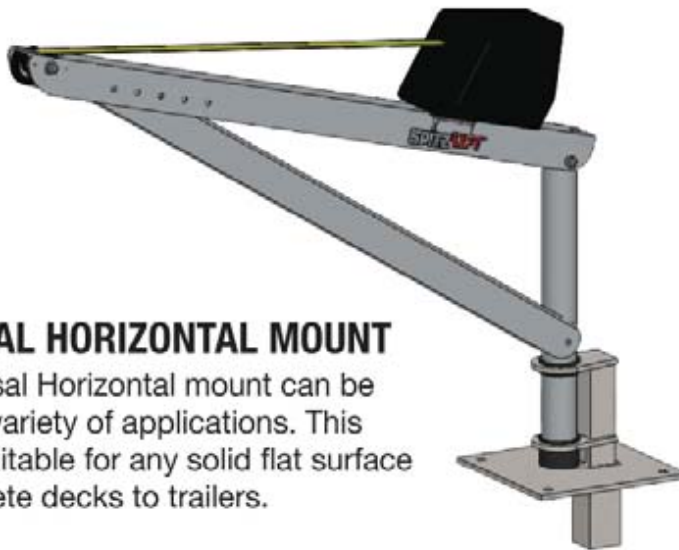
RECREATION





UNIVERSAL VERTICAL MOUNT

From posts to ship hulls, the Universal Vertical mount provides a sturdy alternative for areas where eligible mounting surfaces may be scarce. The vertical mount is versatile and can be attached to almost any solid surface.



UNIVERSAL HORIZONTAL MOUNT

The Universal Horizontal mount can be used for a variety of applications. This mount is suitable for any solid flat surface from concrete decks to trailers.



(1) (2) (3)

1. **Wire Rope:** 3/16" aircraft cable. 3600 lbs rating.
2. **Strap:** 2" UV resistant webbing. Abrasion resistant edge. 7,000 lbs rating.
3. **Synthetic Rope:** 3/16" 4900 lbs rating. Non-rotational. Fatigue, abrasion, UV and wear resistant.

SPITZLIFT CARRYING CASE

Carrying cases available for all SpitzLifts and receiver hitches.



★ CUSTOM DESIGN ★

We are ready to assist you with special projects. Our custom design engineering team has a successful track record of meeting custom application needs and exceeding customer's expectations.



- Aluminum SpitzLifts are designed and engineered to be payload efficient.
- Total Payload-to-vehicle is less than 100 lbs. (SpitzLift, Mount, and Hardware).
- Aluminum SpitzLifts weigh less than 40 lbs.
- SpitzLifts are pre-assembled.
- DC SpitzLifts include wiring harness.
- SpitzLift packages and kits include supporting hardware. No additional reinforcement or pedestals are required.
- Aluminum SpitzLifts are load tested and come with load test certification.
- SpitzLift meets ASME & OSHA standards.
- Spec Bid Docs available upon request.

**SPITZLIFT**



★ 858.513.1260 ★ WWW.SPITZLIFT.COM ★ INFO@SPITZLIFT.COM ★