

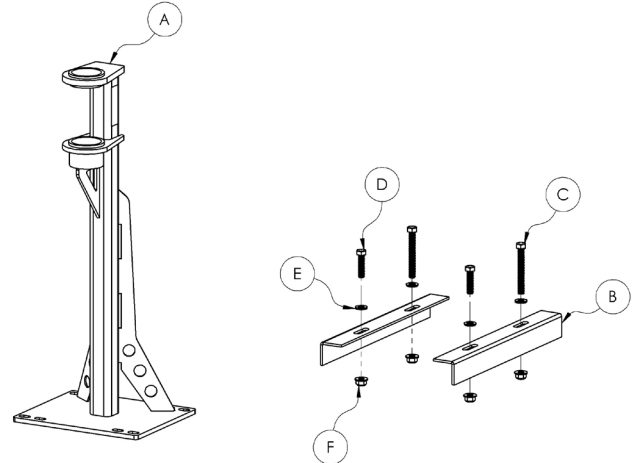
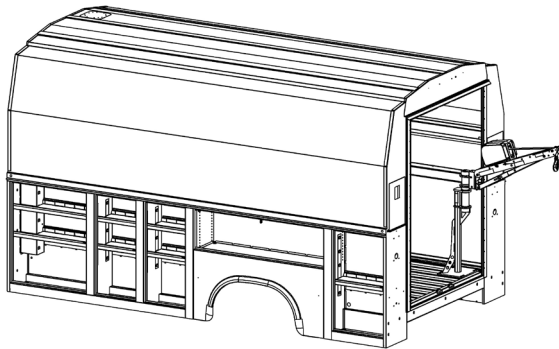
SPITZLIFT ENCLOSED SERVICE BODY PACKAGE - 30" PERMANENT PEDESTAL

RIGHT SIDE (CURB SIDE) | LEFT SIDE (DRIVER SIDE) KBPSRG-010-030-1



INSTALLATION GUIDE

Installation document reflects curb side install. Can be installed on driver side by mirroring hardware kit components.



REF	PART DESCRIPTION	QTY
A	KBPSRG-010-030-1	1
B	PLATE, HK SUPPORT BRACKET 10 X 12	2
C	HEX HEAD BOLT, 1/2-13 X 4.0, G5 ZINC	2
D	HEX HEAD BOLT, 1/2-13 X 2.0, G5 ZINC	12
E	WASHER, 1/2" SEALING NEOPRENE, GALV	1
F	FLANGED HEX NUT, 1/2-13 NYLOC, ZINC	1

DISCLAIMER: It is recommended that SpitzLift pedestals be professionally installed. SpitzLift is not responsible for the structural integrity of the mounting structure.

CAUTION: Ensure the location for the pedestal is clear of all wires, harnesses, lines, fuel tanks, etc.

Step 1.

- Position the pedestal approximately 1/2" from wall and 15/8" from rear interior wall. Mark 4 holes using pedestal as template, **fig I**.
- Remove the pedestal and drill a 17/32" hole at each marked location, **fig II-1**.

Step 2.

- If necessary, cut two 2" x 2" angle pieces (**item B**) to fit between the 2 cross sills.
- Position the angle pieces into place so that they will support the holes of the base plate. Insert the 1/2-13 bolts (**item C, D & E**) down through the pedestal, the floor, and the cross sills or channel. Fasten them with 1/2-13 nuts (**item F**). Torque to 75 ft-lbs.
- Installer may consider welding the 2 angle pieces onto the cross sills with 1/8" x 2" welds. However, in most applications this step is not required.

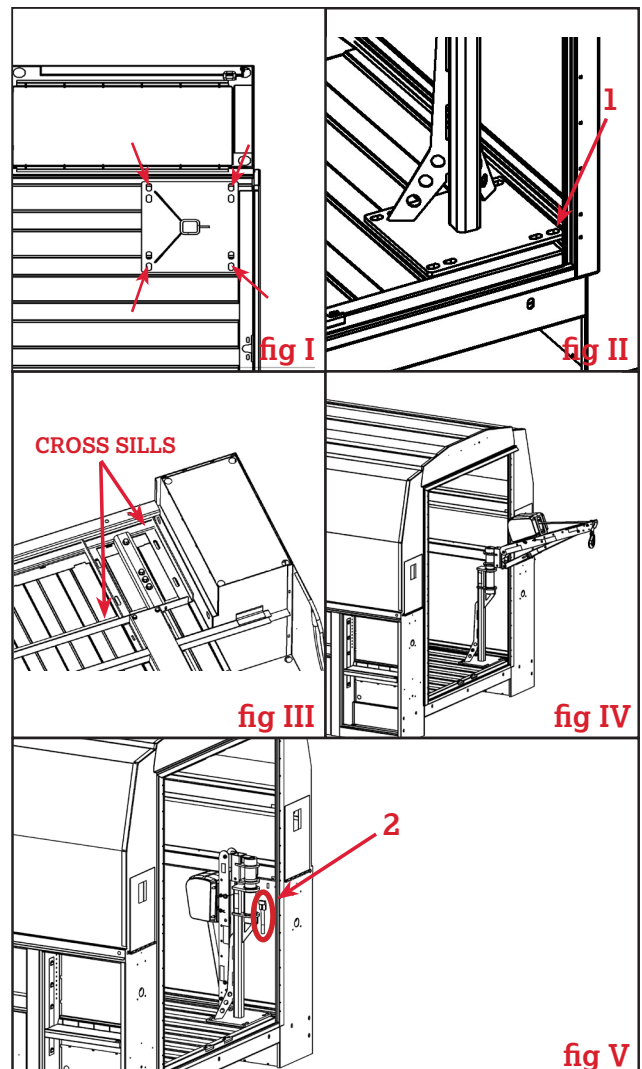
Note: After drilling holes or making any penetrations, properly seal by liberally applying high grade silicone or other sealant around the perimeter of all holes and pedestal. If silicone is applied properly, silicone will squeeze out. Remove excess silicone after **step 3**.

Step 3.

- Place the pedestal into proper installment location.
- If needed, ensure spacers (not provided) are placed to prevent deformation of the surface where the base plate is attached.

Step 4.

- Ensure that pedestal sits tight to the body without obstruction and is structurally sound. Confirm that all cracks and holes are properly sealed with silicone.
- Insert the SpitzLift crane into the pedestal, **fig IV**.



Step 5. Wiring Harness Installation (for DC powered installations, supplied with SpitzLift DC cranes)

- Run wiring harness through floor and securely along chassis.
- Bolt ground lead to chassis. Run positive lead (which includes circuit breakers) and terminate out to positive battery connector or to auxiliary lug. Ensure both lead wires are properly attached along chassis without sagging and protected from being pinched.
- Position the power supply connector onto the side wall of the vehicle in a location that is unobstructed within 2' of the SpitzLift power unit. Choose a location for ease of connecting and disconnecting the SpitzLift extension quick connect cable to the power supply connector. Install by screwing power supply connector into place, **fig V-2**.

Step 6.

- Power the crane and perform recommended load test. 125% of max capacity.

Step 7. Securing Crane for Travel

- **Fold Down Crane:** Place crane in folded position, insert hook into eye of pedestal. Reel webbing or cable in to tighten and secure.
- **Non-Folding SpitzLift Cranes:** Locate a connecting point with in the vehicle to attach hook. Reel webbing or cable in to tighten and secure.

Note: May require installation of a tie-down for attaching hook.

Step 8.

- Unplug power cord for travel and when crane is not in use.