

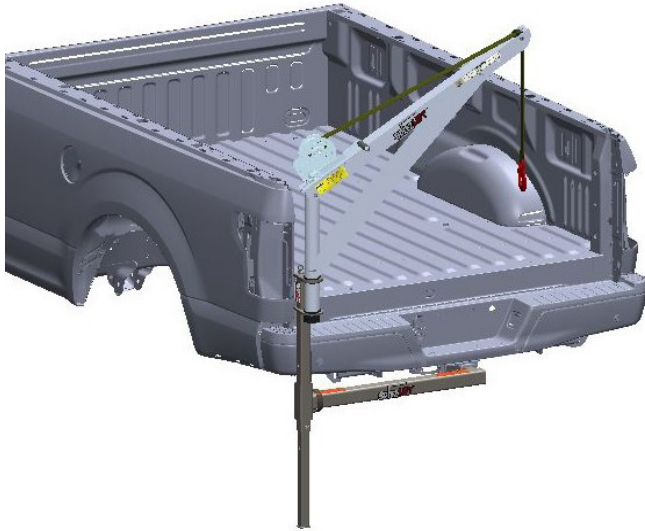
SPITZLIFT PICKUP TRUCK PACKAGE - RECEIVER HITCH

RIGHT SIDE (CURB SIDE) | LEFT SIDE (DRIVER SIDE) KTURS-700

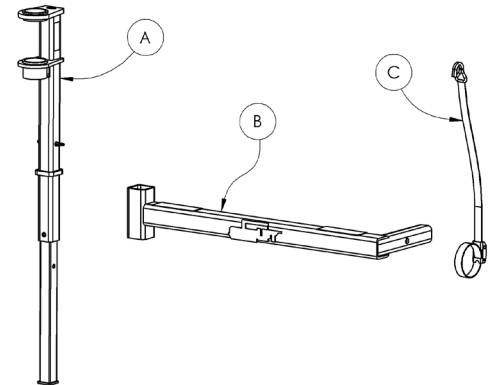


INSTALLATION GUIDE

Installation document reflects curb side install. Can be installed on driver side by mirroring hardware kit components.



xREF	ITEM DESCRIPTION	QTY
A	POST MAST, 28" TRUCK RECEIVER	1
B	MOUNT, TRUCK RECEIVER ARM	1
C	STRAP, LEVELING-TRUCK RECEIVER	1



DISCLAIMER: It is recommended that SpitzLift mounts be professionally installed. SpitzLift is not responsible for the structural integrity of the mounting structure.

Step 1.

- Slide the level strap (**item C**) on to the receiver hitch mount (**item B**), as shown in **fig I**.

Step 2.

- Insert the mount into the receiver hitch, **fig II**.

Step 3.

- Insert the SpitzLift post mast (**item A**) into the receiver mount. Slide the drop leg to the ground and insert the locking pin, **fig III**.

Step 4.

- Attach leveling strap hook to the top of the post mast and synch the strap tight to take away any movement from the post mast and mount, **fig IV**.

Step 5.

- Place the assembled SpitzLift into the post mast mount.

