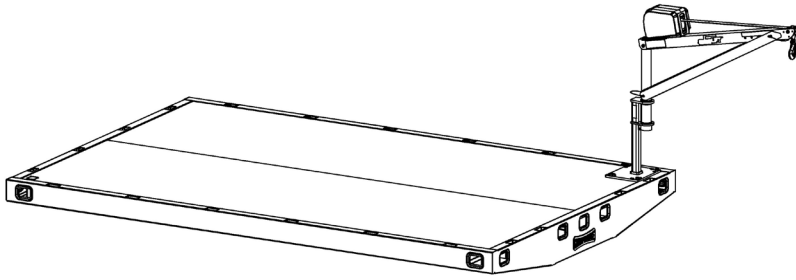
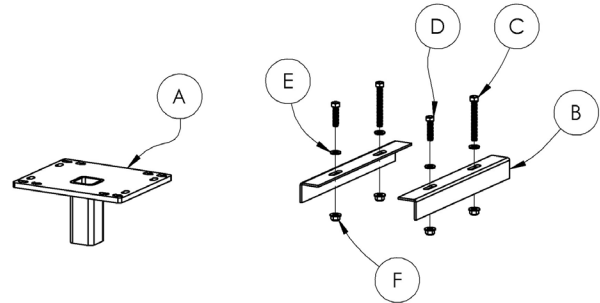


INSTALLATION GUIDE

Installation document reflects curb side install. Can be installed on driver side by mirroring hardware kit components.



REF	PART DESCRIPTION	QTY
A	KBP-1012	2
B	PLATE, HK BRACKET 10 X 12	2
C	HEX HEAD BOLT, 1/2"-13 X 4.0, G5 ZINC	2
D	HEX HEAD BOLT, 1/2"-13 X 2.0, G5 ZINC	2
E	WASHER, 1/2" SEALING NEOPRENE, GALV	4
F	FLANGED HEX NUT, 1/2-13 NYLOC, ZINC	4



DISCLAIMER: It is recommended that SpitzLift pedestals be professionally installed. SpitzLift is not responsible for the structural integrity of the mounting structure.

CAUTION: Ensure the location for the pedestal is clear of all wires, harnesses, lines, fuel tank, etc.

Step 1.

• Locate desired placement location. Typically installed at rear or forward corner of platform bed, **fig I**.

Note: These instructions may not apply based on Platform OEM designs or location of installation. Make certain to provide sufficient reinforcement support in accordance to loads lifted.

KBP-1012 may be installed as:

- 1) flush mount or
- 2) pocket in (up position), **fig II**.

Step 2. Flush Mount Installations Only

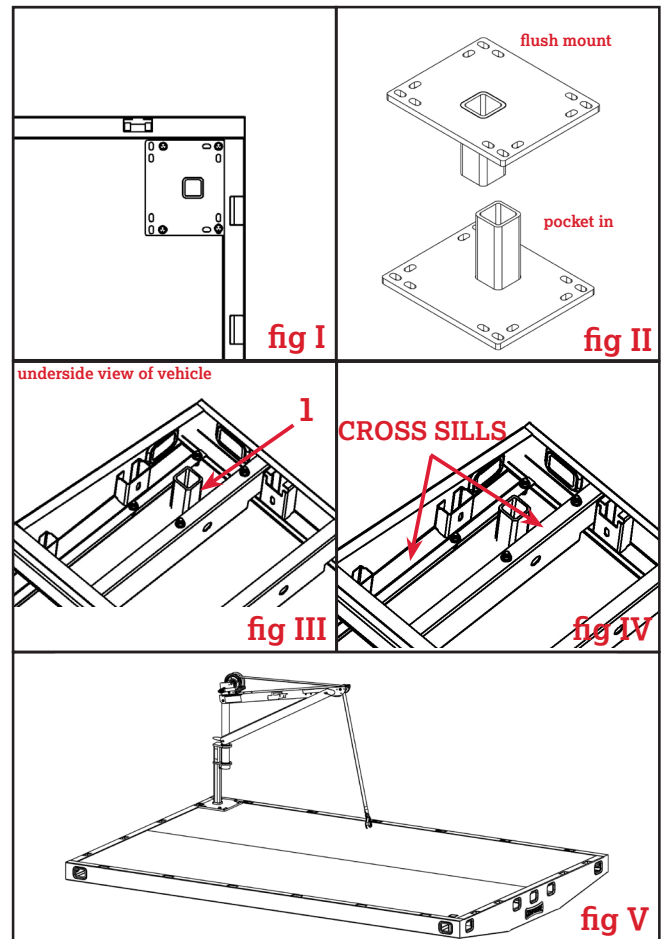
• Cut a 2 3/4" x 2 3/4" square hole, or a 3 1/4" diameter round hole in order to recess the pocket. Ensure the holes do not interrupt the integrity of the vehicle framing or support members, **fig III-1**.

Step 2 continued. Flush Mount and Pocket In

• Using the holes on the pedestal, mark each location. Remove the pedestal and drill 17/32" (.53) hole at each location through the cross sills. Confirm the pedestal is on top of the cross sills for required structural integrity, **fig IV**.

Note: Properly seal holes by liberally applying high-grade silicone or other sealants around the perimeter of all holes and pedestal. After tightening down, remove excess silicone. When applied properly, silicone will squeeze out.

Note: Installer is required to add additional reinforcement support if pedestal position is not aligned over top of cross sills (**follow step 3**).



Step 3.

- Based on OEM platform design it may be necessary to cut two 2"x 2" steel angles (**item B**) to fit between the 2 cross sills.
- Align the steel angle supports to match pedestal hole locations to the underbody of the platform.
- Insert the ½" bolts (**item C, D, & E**) down through the pedestal, floor, and the cross sills or channel.
- Fasten with ½" nuts (**item F**).
- Once all 4 bolts are in place with hardware washers, and nuts torque bolts to 75 ft-lbs.

Note: Installer may consider, welding the 2 angle pieces on to the cross sills with 1/8" x 2" welds. However, in most applications, this step is not required for most applications.

Step 4.

- Ensure the pedestal is tightened to the platform without obstruction and is structurally sound.
- Confirm that all cracks and holes are properly sealed with silicone.
- Insert the post mast into the pedestal, **fig IV**.

Step 5. Wiring Harness Installation (For DC powered installations, supplied with SpitzLift DC cranes)

- Run wiring harness through the bed of the truck and along the chassis.
- Bolt ground lead to chassis. Run positive lead (which includes circuit breakers) and terminate out positive battery connector or to auxiliary lug.
- Ensure both lead wires are properly attached along chassis without sagging and are protected from being pinched.
- Position the power supply connector under the edge of the platform or on the back rack (depending on platform model) in a location that is unobstructed within 2' of the SpitzLift power unit. Choose a location for ease of connecting and disconnecting the SpitzLift extension quick connect cable to the power supply connector. Install by screwing power supply connector into place.

Step 6.

- Insert SpitzLift into the pedestal and perform recommended load test. 125% of max capacity.

Step 7. Securing Crane for Travel

- Crane must face front of the vehicle to reduce wind chatter.
- Install tie-down to use for locking crane into travel position.
- Fasten the hook to the tie-down. Reel in the strap to add enough tension to secure the crane. The crane will flex about an inch indicating that it is secure.

Note: If crane continues to chatter, tighten the strap a little more. **Caution,** do not over tighten, **fig VI**.

Step 8.

- Unplug power cord for travel and when crane is not in use.