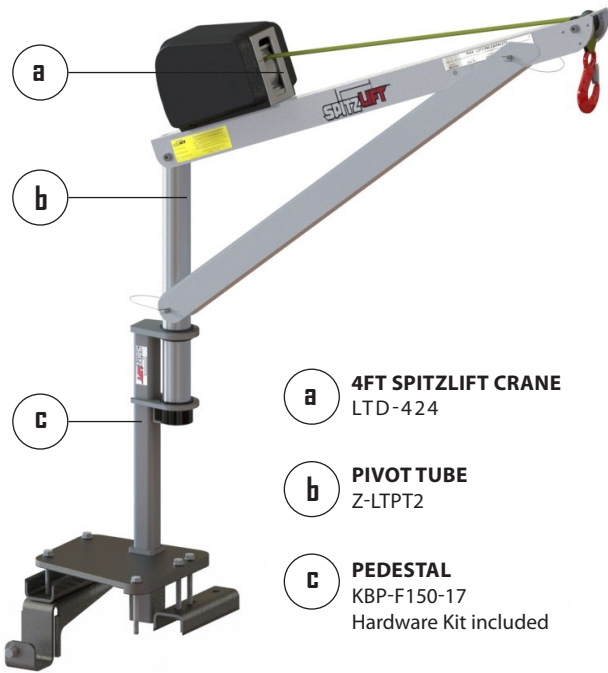
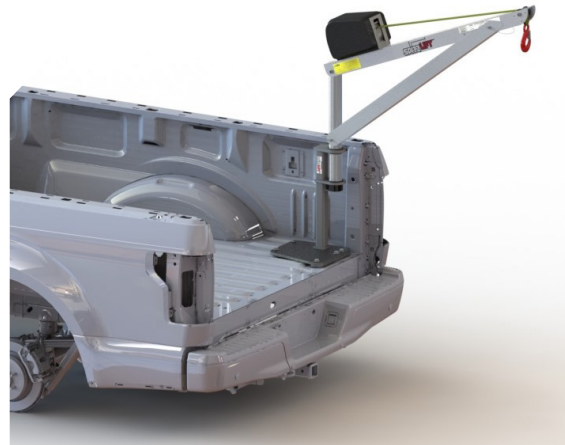


# SPITZLIFT PICKUP TRUCK PACKAGE - F150 (2017 FORWARD)

## RIGHT SIDE (CURB SIDE) KBP-F150-17



- a** 4FT SPITZLIFT CRANE LTD-424
- b** PIVOT TUBE Z-LTPT2
- c** PEDESTAL KBP-F150-17  
Hardware Kit included



4FT SPITZLIFT CRANE - DC POWERED	SPECIFICATIONS
MAX LIFTING CAPACITY	900 LBS (408.2 KG)
MANUFACTURING STANDARDS	COMPLIANT WITH OSHA AND ASME STANDARDS
ROTATION	360°
WEBBING OR WIRE ROPE	20' (609.6 CM)   50' (1524 CM)
LIFTING SPEED	22'6" (6.858 M)/MIN (0.11/SEC)
PENDANT CONTROLLER	10' (304.8 CM)
INSTALLED WEIGHT	APPROX. 80 LBS (36.3 KG)
POWER REQUIREMENTS	12V DC @ 70 AMPS   120V AC @ 7 AMPS
STANDARD FINISH	CLEAR ANODIZED   POWDER COATED
MATERIAL	AIRCRAFT GRADE ALUMINUM & STEEL
WARRANTY	3 YEARS LIMITED



**Pendant Controller \***

Item#: 25559-REMOTE10HK



**Quick Connect \***

Item#: 24085



**DC Wiring Harness \***

Item#: 24049



**Hardware Kit**

Item#: INCLUDED WITH MOUNT

\*Included with DC powered units