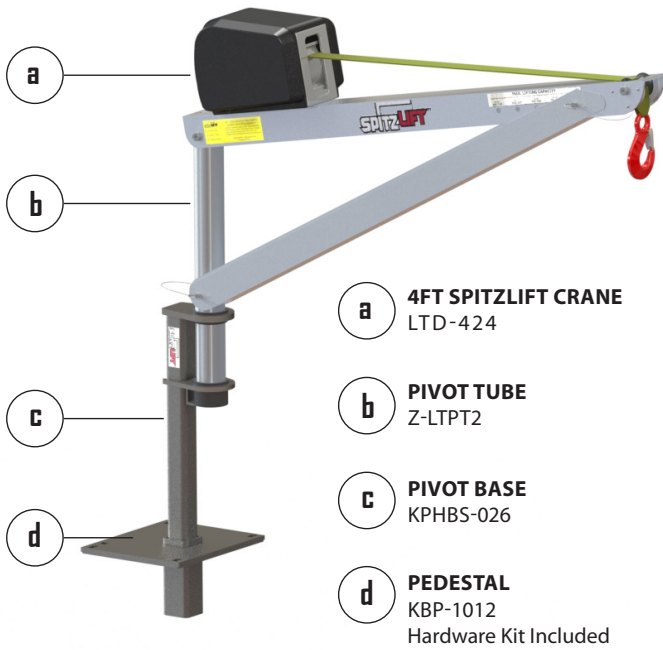
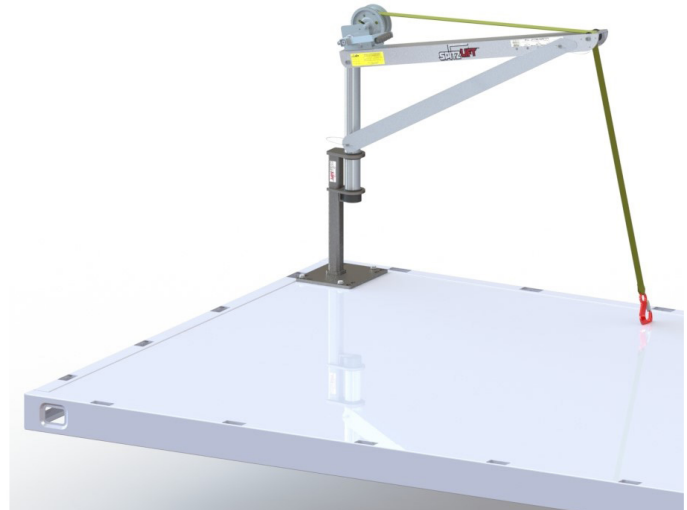


SPITZLIFT PLATFORM TRUCK PACKAGE - SURFACE PLATE

RIGHT SIDE (CURB SIDE) OR LEFT SIDE (DRIVER SIDE) KBP-1012



- a** 4FT SPITZLIFT CRANE LTD-424
- b** PIVOT TUBE Z-LTPT2
- c** PIVOT BASE KPHBS-026
- d** PEDESTAL KBP-1012 Hardware Kit Included



4 FT SPITZLIFT CRANE - DC POWERED OR MANUAL	SPECIFICATIONS
MAX LIFTING CAPACITY	900 LBS (408.2 KG)
MANUFACTURING STANDARDS	COMPLIANT WITH OSHA AND ASME STANDARDS
ROTATION	360°
WEBBING OR WIRE ROPE	20' (609.6 CM) 50' (1524 CM)
DC LIFTING SPEED	22'6" (6.858 M)/MIN (0.11/SEC)
PENDANT CONTROLLER	10' (304.8 CM)
INSTALLED WEIGHT	APPROX. 78 LBS (35.4 KG)
POWER REQUIREMENTS	12V DC @ 70 AMPS 120V AC @ 7 AMPS
STANDARD FINISH	CLEAR ANODIZED POWDER COATED
MATERIAL	AIRCRAFT GRADE ALUMINUM & STEEL
WARRANTY	3 YEARS LIMITED



Pendant Controller *

PART#: 25559-REMOTE10HK



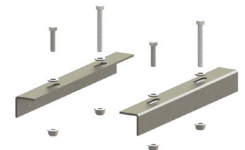
Quick Connect *

PART#: 24085



DC Wiring Harness *

PART#: 24049



Hardware Kit

PART#: KBP-1012H

*Included with DC powered units.