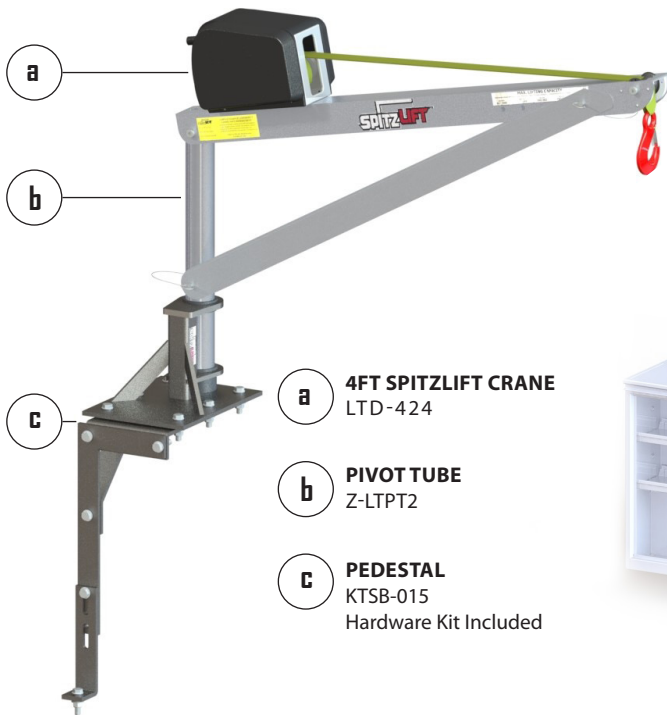
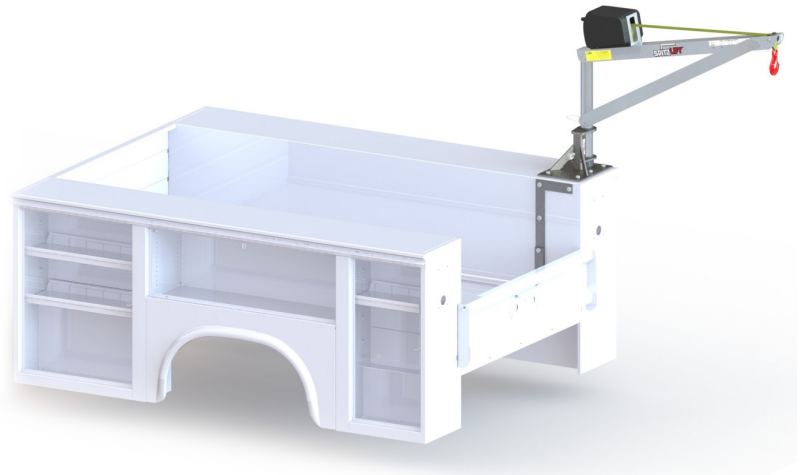


SPITZLIFT SERVICE BODY PACKAGE - TOP

RIGHT SIDE (CURB SIDE) KTSB-015



- a** 4FT SPITZLIFT CRANE
LTD-424
- b** PIVOT TUBE
Z-LTPT2
- c** PEDESTAL
KTSB-015
Hardware Kit Included



4 FT SPITZLIFT CRANE - DC POWERED	SPECIFICATIONS
MAX LIFTING CAPACITY	900 LBS (408.2 KG)
MANUFACTURED STANDARDS	COMPLIANT WITH OSHA AND ASME STANDARDS
ROTATION	360°
WEBBING OR WIRE ROPE	20' (609.6 CM) 50' (1524 CM)
LIFTING SPEED	22'6" (6.858 M)/MIN (0.11/SEC)
PENDANT CONTROLLER	10' (304.8 CM)
INSTALLED WEIGHT	APPROX. 74 LBS (34.6 KG)
POWER REQUIREMENTS	12V DC @ 70 AMPS 120V AC @ 7 AMPS
STANDARD FINISH	CLEAR ANODIZED POWDER COATED
MATERIAL	AIRCRAFT GRADE ALUMINUM & STEEL
WARRANTY	3 YEARS LIMITED



Pendant Controller *

PART#: 25559-REMOTE10HK



Quick Connect *

PART#: 24085



DC Wiring Harness *

PART#: 24049



Hardware Kit

PART#: KTSB-015H

*Included with DC powered units