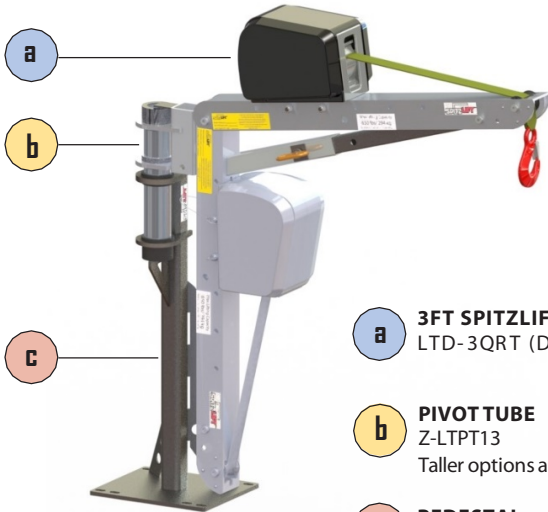


**SPITZLIFT VAN PACKAGE:
GMC SAVANA/CHEVY EXPRESS REAR DOOR
RIGHT SIDE (CURB SIDE) | LEFT (DRIVER SIDE) KBPSG-010-030**



- a** **3FT SPITZLIFT FOLD-DOWN CRANE**
LTD-3QRT (DC)
- b** **PIVOT TUBE**
Z-LTPT13
Taller options available
- c** **PEDESTAL**
Reinforcement Installation Kit
and Hardware Included
KBPSRG-010-030 /KBP-1012-GM18



3 FT SPITZLIFT FOLD-DOWN CRANE - DC POWERED	SPECIFICATIONS
MAX LIFTING CAPACITY	650 LBS (294.8 KG)
MANUFACTURING STANDARDS	COMPLIANT WITH OSHA AND ASME STANDARDS
ROTATION	360°
WEBBING OR WIRE ROPE	20' (609.6 CM) 5/8" (152.4 CM)
LIFTING SPEED	DC - 22'6" (6.858 M)/MIN (0.11/SEC)
DC PENDANT CONTROLLER	10' (304.8 CM)
INSTALLED WEIGHT	DC - APPROX. 91 LBS (41.3KG)
POWER REQUIREMENTS	12V DC @70 AMPS
STANDARD FINISH	CLEAR ANODIZED POWDER COATED
MATERIAL	AIRCRAFT GRADE ALUMINUM & STEEL
WARRANTY	3 YEARS LIMITED



DC Pendant Controller

PART#: 25559-REMOTE10HK
Length: 10' (304.8CM)



DC Quick Connect

PART#: 24085-4
Length: 4' (121.9 CM)



DC Wiring Harness

PART#: 24049
Length: 25' (762 CM)



Reinforcement Kit

PART#: KBP-1012-GM18

*Manual Handcrank Option available upon request.