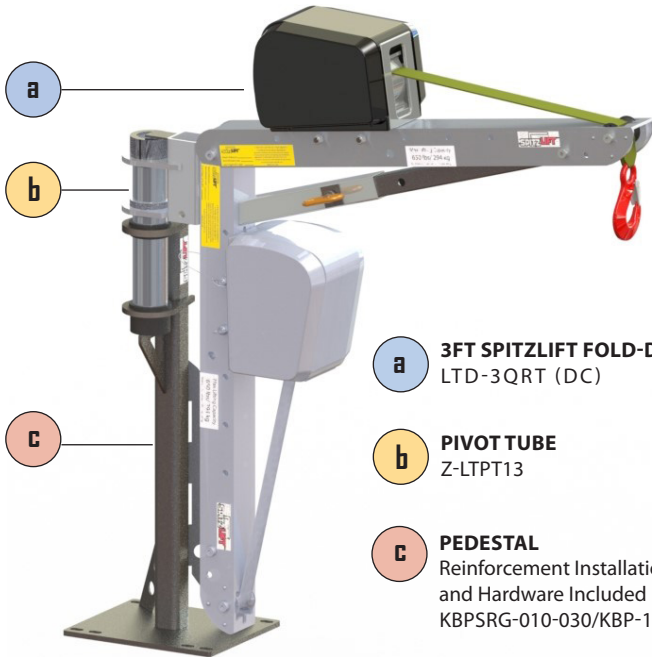


# SPITZLIFT ENCLOSED SERVICE BODY PACKAGE: 30" PEDESTAL

RIGHT SIDE (CURB SIDE) | LEFT (DRIVER SIDE) KBPSRG-010-030



- a** 3FT SPITZLIFT FOLD-DOWN CRANE LTD-3QRT (DC)
- b** PIVOT TUBE Z-LTPT13
- c** PEDESTAL Reinforcement Installation Kit and Hardware Included KBPSRG-010-030/KBP-1012H



| 3 FT SPITZLIFT FOLD-DOWN CRANE - DC POWERED | SPECIFICATIONS                         |
|---|--|
| MAX LIFTING CAPACITY                        | 650 LBS (294.8 KG)                     |
| MANUFACTURING STANDARDS                     | COMPLIANT WITH OSHA AND ASME STANDARDS |
| ROTATION                                    | 360°                                   |
| WEBBING OR WIRE ROPE                        | 20' (609.6 CM)   50' (1524 CM)         |
| LIFTING SPEED                               | DC - 22'6"(6.858 M)/MIN (0.11/SEC)     |
| DC PENDANT CONTROLLER                       | 10' (304.8 CM)                         |
| INSTALLED WEIGHT                            | DC - APPROX. 89 LBS (40.4 KG)          |
| POWER REQUIREMENTS                          | 12V DC @ 70 AMPS                       |
| STANDARD FINISH                             | CLEAR ANODIZED   POWDER COATED         |
| MATERIAL                                    | AIRCRAFT GRADE ALUMINUM & STEEL        |
| WARRANTY                                    | 3 YEARS LIMITED                        |



**DC Pendant Controller**

PART#: 25559-REMOTE10HK  
Length: 10' (304.8 CM)



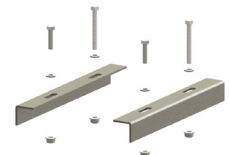
**DC Quick Connect**

PART#: 24085-4  
Length: 4' (121.9 CM)



**DC Wiring Harness**

PART#: 24049  
Length: 25' (762 CM)



**Reinforcement Kit**

PART#: KBP-1012H

\*Manual Handcrank Option available upon request.