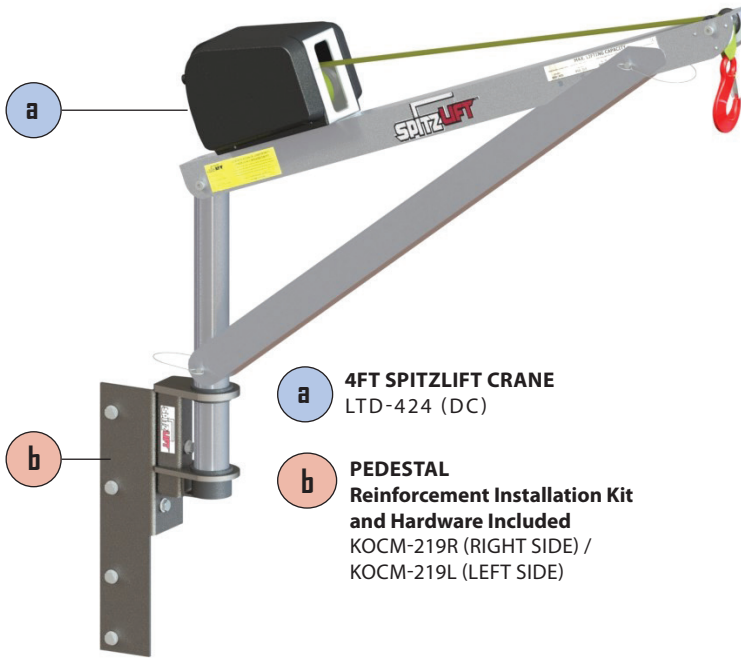
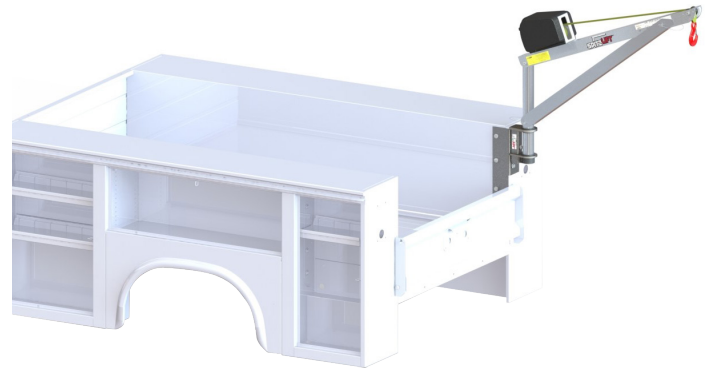


SPITZLIFT SERVICE BODY PACKAGE: CORNER

LEFT SIDE (DRIVER SIDE) KO CM-219L | RIGHT SIDE (CURB SIDE) KO CM-219R



- a** 4FT SPITZLIFT CRANE LTD-424 (DC)
- b** PEDESTAL Reinforcement Installation Kit and Hardware Included KO CM-219R (RIGHT SIDE) / KO CM-219L (LEFT SIDE)



4 FT SPITZLIFT CRANE - DC POWERED	SPECIFICATIONS
MAX LIFTING CAPACITY	900 LBS (408.2 KG)
MANUFACTURING STANDARDS	COMPLIANT WITH OSHA AND ASME STANDARDS
ROTATION	360°
WEBBING OR WIRE ROPE	20' (609.6 CM) 50' (1524 CM)
LIFTING SPEED	DC - 22'6"(6.858 M)/MIN (0.11/SEC)
DC PENDANT CONTROLLER	10' (304.8 CM)
INSTALLED WEIGHT	DC - APPROX. 65 LBS (29.5 KG)
POWER REQUIREMENTS	12V DC @ 70 AMPS
STANDARD FINISH	CLEAR ANODIZED POWDER COATED
MATERIAL	AIRCRAFT GRADE ALUMINUM & STEEL
WARRANTY	3 YEARS LIMITED



DC Pendant Controller

PART#: 25559-REMOTE10HK
Length: 10' (304.8 CM)



DC Quick Connect

PART#: 24085-4
Length: 4' (121.9 CM)



DC Wiring Harness

PART#: 24049
Length: 25' (762 CM)



Reinforcement Kit

PART#: INCLUDED WITH PEDESTAL

*Manual Handcrank Option available upon request.