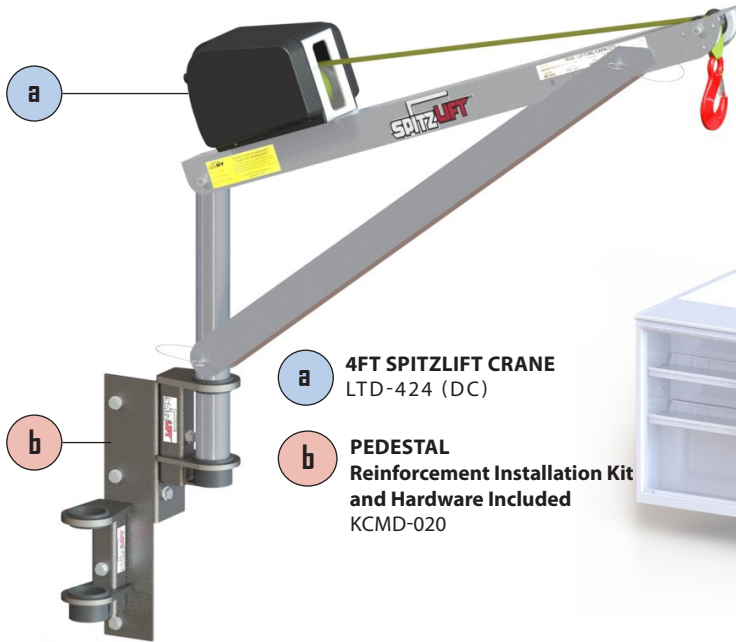
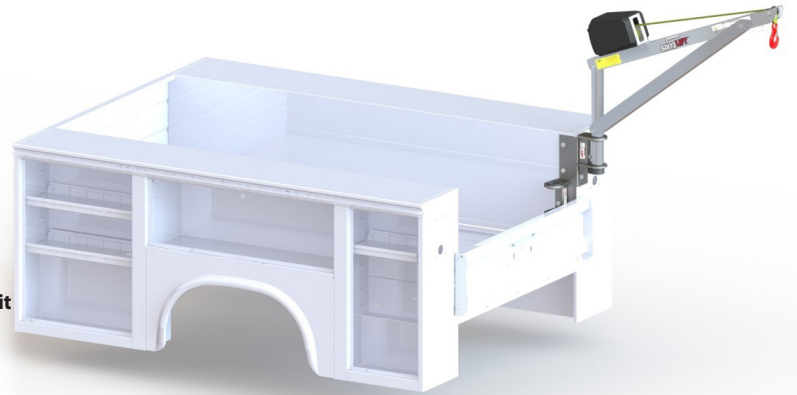


**SPITZLIFT SERVICE BODY PACKAGE:  
DOUBLE CORNER  
RIGHT SIDE (CURB SIDE) KCDM-020**



- a** 4FT SPITZLIFT CRANE LTD-424 (DC)
- b** PEDESTAL Reinforcement Installation Kit and Hardware Included KCDM-020



4 FT SPITZLIFT CRANE - DC POWERED	SPECIFICATIONS
MAX LIFTING CAPACITY	900 LBS (408.2 KG)
MANUFACTURING STANDARDS	COMPLIANT WITH OSHA AND ASME STANDARDS
ROTATION	360°
WEBBING OR WIRE ROPE	20' (609.6 CM)   50' (1524 CM)
LIFTING SPEED	DC - 22'6"(6.858 M)/MIN (0.11/SEC)
DC PENDANT CONTROLLER	10' (304.8 CM)
INSTALLED WEIGHT	DC - APPROX. 65 LBS (27.2 KG)
POWER REQUIREMENTS	12V DC @ 70 AMPS
STANDARD FINISH	CLEAR ANODIZED   POWDER COATED
MATERIAL	AIRCRAFT GRADE ALUMINUM & STEEL
WARRANTY	3 YEARS LIMITED



**DC Pendant Controller**

PART#: 25559-REMOTE10HK  
Length: 10' (304.8 CM)



**DC Quick Connect**

PART#: 24085-4  
Length: 4' (121.9 CM)



**DC Wiring Harness**

PART#: 24049  
Length: 25' (762 CM)



**Reinforcement Kit**

PART#: INCLUDED WITH PEDESTAL

\*Manual Handcrank Option available upon request.